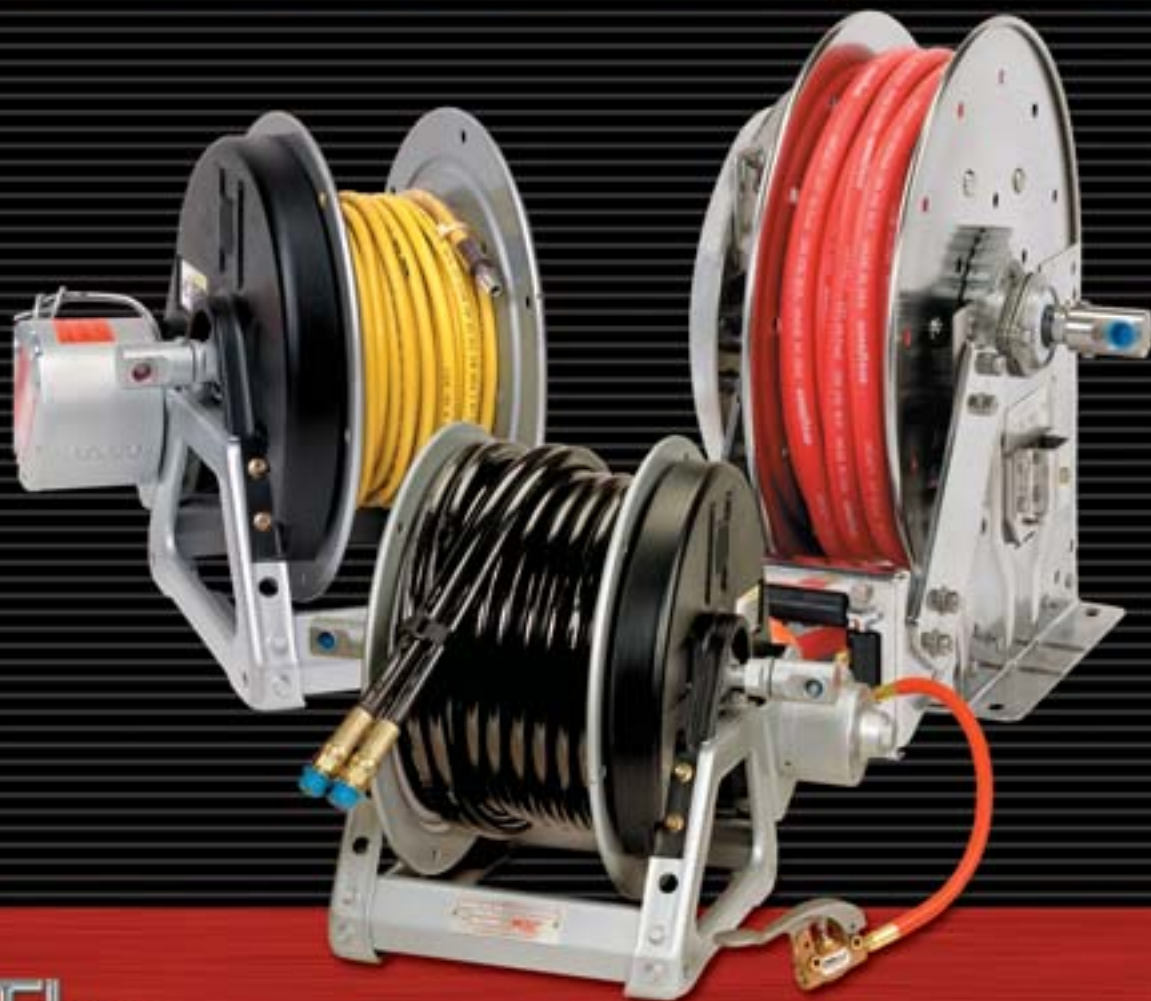


FAMILY OWNED AND OPERATED SINCE 1933



# Industrial Hose Reels



The  
Hannay  
Way

Washdown • Chemical Transfer • Potable Water  
Food Processing • Pharmaceuticals & Cosmetics • Fueling  
Fire Protection • Dairy Operations • Bottling Plants

[www.hannay.com](http://www.hannay.com)

Pride in workmanship • Reels built to order • Consistent quality • Service with integrity • Value for your dollar

# CONTENTS

## Hannay hose reels come in all sizes and capacities.

Hannay Reels is the leading manufacturer of high quality hose and cable reels for most every conceivable application. This catalog describes and gives specifications on our most popular hose reels. If you don't see what you're looking for, give us a call and we will help you meet your needs.

### Reel Selector Chart

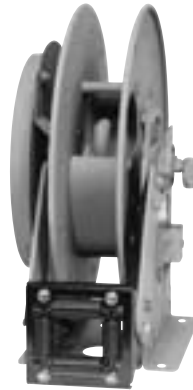
Reel Type	I.D. Hose Sizes	Page
Hose Assemblies	1/4"–1-1/2"	3
<b>Hannay Reels Policies</b> Our Guarantee, Service Policy, Paint Notice, Return Goods Policy		4
<b>Spring Rewind Reels</b>		
Series N500 (high pressure)	1/4" & 3/8"	5
Series N600/600 (dual hose)	1/4"–3/4" Dual	6-7
Series N700/700	3/8" & 1/2"	8-9
Series N800/800	3/4" & 1"	10-11
Series 900	1-1/4" & 1-1/2"	12
<b>Compact Manual Rewind Reels</b>		
Series 1000	1/4"–3/8"	13
<b>Power and Manual Rewind Reels</b>		
Series 1500, 1800	1/4"–3/4"	14-15
Series 2000 (dual hose), G2000	1/4"–1/2" Dual	16-17
Series 3000, 3500 (manual only)	3/4"–1-3/4"	18-19
Series 4000, G4100	3/4"–1"	20-21
Series 6000	1/2"–1"	22-23
Series 7000 (dual hose)	3/4"–1" Dual	24
Series 7500	1"–1-1/2"	25
Series 8000	1-1/2"–2"	26-27
Series 9000	2"–3"	28-29
<b>Portable Hose Reels</b>		
Series 1100, AT1200	3/8"–1"	30-31
<b>Storage Reels</b>		
Series C1150, ATC1250	16/3–10/3	32-33
Series C1500, C3200	1/4"–1-1/2"	34-35

### Lube Reel Chart

Reel Type	I.D. Hose Sizes	Page
<b>Spring Rewind Reels</b>		
Series N500 (high pressure)	1/4" & 3/8"	5
Series N700	3/8" & 1/2"	8
Series N800	3/4" & 1"	10
Series 900	1-1/4" & 1-1/2"	12
<b>Power Rewind Reels</b>		
Series 7500	1"–1-1/2"	25

### Mounting Hole Sizes

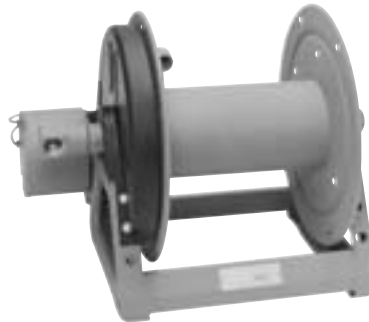
- N Series Reels** — 7/16" x 7/8" running front to back
- Pressed Frame Reels** — 7/16" x 7/8" running left to right
- Series 1000** — 5/16" x 7/8"
- Series 1500, 1800, 4000, 2000** — 13/32" round holes



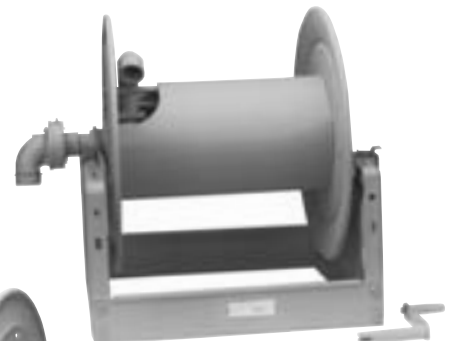
Spring Rewind Reels



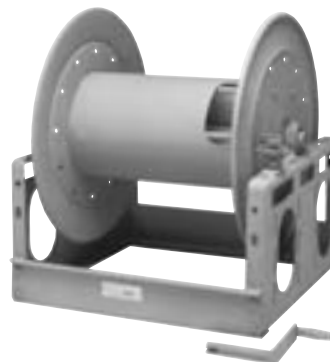
Compact Manual Rewind Reels



Power Rewind Reels



Manual Rewind Reels



Storage Reels

# HOSE ASSEMBLIES

**Complete Reel Packages** are also available. For further information refer to our form H-0001-Pkg.

## Hose Assemblies

Hannay offers a wide selection of low, medium, and high pressure hose assemblies for a variety of applications such as general purpose air and water, petroleum products, hydraulics, oxygen/acetylene, breathing air, potable water, steam, and pressure washing. These assemblies are available with inside diameters ranging from 3/16" to 3", working pressures from 100 psi to 10,000 psi (7 bar to 689 bar), working temperatures from -65° F to +450° F (-54° C to +232° C), and in most cases at least a 4:1 burst pressure ratio. Hannay also offers 24" flexible connectors for most reels. Please contact our factory with your specific need.

## Low Pressure Hose

Our low pressure hose assemblies with inside diameters of 1/4", 3/8", 1/2", and 3/4" have working pressures from 300 psi to 350 psi (21 bar to 24 bar), working temperatures from -40° F to +212° F (-40° C to +100° C) depending on fluid, have a synthetic rubber core and cover with a one textile braid reinforcement. They are designed for use with petroleum-based hydraulic fluids and lubricating oils, water, water/glycol, water/oil emulsion hydraulic fluids, and air. Our low pressure hose assemblies with inside diameters of 1", 1-1/4", and 1-1/2" have working pressures of 200 psi (14 bar), working temperatures from -40° F to +180° F (-40° C to +82° C). They have a blended nitrile core, a neoprene cover, and four spiral reinforcements for the 1" and an EPDM core and cover with a two textile braid reinforcement for the 1-1/4" and 1-1/2" (also available in 1"). The nitrile/neoprene hose is designed for transfer of air and water. The EPDM hose covers these applications, plus it is good for conveying water-based liquid fertilizers, pesticides and other products.

## Medium Pressure Hose

Our medium pressure hose assemblies with inside diameters of 1/4", 3/8", and 1/2" have working pressures from 2000 psi to 2750 psi (138 bar to 190 bar), working temperatures from -40° F to +250° F (-40° C to +121° C), and have a synthetic rubber core and cover with one braid of high tensile steel wire for reinforcement. They are designed for use with petroleum-based hydraulic fluids and lubricating oils, water, water/glycol, water/oil emulsion hydraulic fluids, and air.

## High Pressure Hose

Our high pressure hose assemblies with inside diameters of 1/4", 3/8", and 1/2" have working pressures from 3500 psi to 5000 psi (241 bar to 345 bar), working temperatures from -40° F to +257° F (-40° C to +125° C), depending on fluid, have a synthetic rubber core and cover with two braids of high tensile steel wire separated by a synthetic layer for reinforcement. They are designed for use with petroleum-based hydraulic fluids and lubricating oils, water, water/glycol, water/oil emulsion hydraulic fluids, and air.

## Twin Oxygen/Acetylene Hose

Our oxygen/acetylene grade R hose assemblies with inside diameters of 1/4" and 3/8" have working pressures of 200 psi (14 bar), working temperatures of -40° F to +200° F (-40° C to +93° C), or have an EPDM core and cover with one textile braid reinforcement. This hose is designed for oxygen/acetylene only. Grade T oxygen/acetylene, propane, MAPP gas hose is also available. For oxygen/acetylene reels see Hannay Welding Catalog H-0408-W.

## Twin Hydraulic Hose

Our twin hydraulic hose assemblies with inside diameters of 1/4", 3/8", and 1/2" have working pressures from 2000 psi to 5000 psi (138 bar to 345 bar), working temperatures from -40° F to +212° F (-40° C to +100° C), have a polymeric core, abrasion-resistant urethane cover, and braided fiber reinforcement. This hose is not only designed for hydraulic and pneumatic circuits, but has a wide chemical compatibility that covers applications such as agricultural sprays, urethane foam mixers, and fire resistant fluids.

**Note: All spring rewind reels complete with hose are supplied with appropriate hose stop.  
(See Ordering & Accessory Guide.)**

# REEL POLICIES

## Our Guarantee and Service Policy

Equipment manufactured by Hannay Reels, Inc. is guaranteed for two years from date of shipment when installed according to our instructions, given proper care, and used for the purpose for which it is designed.

Equipment which proves to be defective upon our inspection will be replaced free of charge, including freight to the customer. Our responsibility ceases upon delivery to any common carrier and we do not, unless previously instructed, insure shipments beyond point of delivery to such carrier. No material will be accepted for return without a return goods authorization. No allowance will be made for labor charges incurred in making exchanges, replacements or repairs.

Components (including hose and cable) which are manufactured by other vendors will be subject to the warranty terms of their own manufacturers. Also excluded from the general guarantee are normal wear items (including seals, motor brushes, and paint finish).

We reserve the right to modify or alter materials, dimensions, design and construction when necessary to improve the performance of the reel and/or accessories, or to meet delivery requirements.

**Failure to use a properly sized circuit breaker with any electric rewind motor will void warranty on motor.**

**Failure to use a flexible connector with any live hose reel will void warranty on swivel joint.**

We expressly disclaim any liability for damage or injuries resulting from the use, operation, service, maintenance or failure of equipment.

## Paint Notice

To meet the requirements and performance of vehicle and OEM apparatus paints we recommend our reels be painted with the same or equal paint as used on the specific apparatus the reel is being mounted on.

Hannay Reels will supply any model or custom reel or part with an automotive primer or rust preventative oil finish upon request, allowing application of final coating at your facility. Or at additional cost Hannay can prime / pre-paint all material before final assembly.

In today's regulatory environment this would be the most cost-effective way to meet your finishing standards.

Optional finishes are available for various environmental conditions and should be discussed with the factory.

Standard finish is oven cured enamel. **High performance finishes for demanding and corrosive environments are available at an additional cost. Consult factory for specific requirements.**

## Return Goods Policy

All Hannay Reels are built to order. The parts and components are ordered or placed into production as soon as the order is written.

In order to keep the number of returned goods at a minimum, we ask that you use the Hannay Reels Order Worksheet and/or Accessories Order Form when specifying reels with us. These forms can be found in our Ordering and Accessory Guide, H-0415-OA. **Be sure to include any size and/or weight limitations for your installation.**

In the event that an item does need to be returned for credit, repair or replacement, prior approval **must** be obtained from Hannay Reels, Inc. Upon your request, we will fax a Return Goods Authorization form. A signed copy of this form **must** accompany the material when returned to us.

All material must be returned prepaid, unless otherwise noted on our Return Goods Authorization. No return will be accepted that has been damaged due to improper return packaging, tampered with or altered from its original condition. **Equipment specially built to customer specifications and requirements is not subject to cancellation or returnable for credit under any conditions.**

Our restocking and handling fee is a **MINIMUM** of 25% for standard catalog reels and parts.

**No** material will be accepted for credit when returned without permission. Orders for equipment incorporating variations from catalog listed items are special and are not subject to return.

**No** allowance will be made for labor or mileage charges incurred in making exchanges, replacements, or repairs.

# N500

## HIGH PRESSURE SPRING REWIND REELS

To handle single 1/4" or 3/8" I.D. hose.



Standard Configuration Shown

For:

- Chassis Grease
- Hydraulics
- Air/Water

- Compact frame and narrow base.
- Non sparking ratchet assembly.
- Declutching arbor to prevent damage from reverse winding.
- Standard inlet 90° swivel joint 1/4" female NPT threads. 3/8" female NPT threads are optional and **must be specified**.
- Standard outlet is 1/4" female NPT threads. 3/8" female NPT threads are optional and **must be specified**.
- Other threads can be furnished and **must be specified**.
- Standard pressure of 10,000 psi (689 bar), product temperatures from -40° F to +250° F (-40° C to +121° C). Optional 1/4" 3000 psi (207 bar), or 3/8" 3000 psi (207 bar) or 8000 psi (552 bar) are available upon request.
- 4-way roller assembly.
- Constant Tension is available – consult factory.

### Parts Drawing – ISO 92

Model Number	Hose Capacity of Reel			Approx. Weight		Standard Roller Assy	Reel Dimensions***			
	feet			lb.			C	E	G	H
	m.			kg.						
I.D. (in) I.D. (mm)	1/4" 6	3/8" 10	NET	Fr. SHIP Wt.						
N515-14-16-8C	25 8	25 8	48* 22	83 38	N203	8 203	17.62 448	16.25 413	9.12 232	
N515-16-17C	35 11	35 11	51* 23	86 39	N203	10.5 267	18.5 470	17 432	9.12 232	
N515-19-20J	50 15	50 15	63* 29	98 44	N203	10.5 267	20.75 527	20 508	10.62 270	
N515-23-24J	75 23	75 23	75* 34	110 50	N203	15.5 394	23.75 603	24 610	12.62 321	

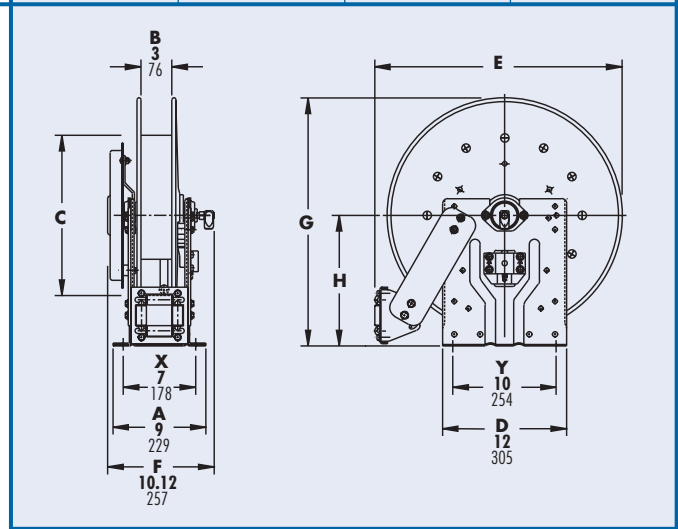
**Notes:**

1. Specifications subject to change.
2. Reel models and capacities shown are for standard drag applications; for vertical lift applications consult factory.
3. Other sizes, from standard components, available on request.
4. **Finish:** refer to Page 4.
5. **Be sure to check dimensions and weights prior to ordering.**

**NOTICE:** A Flexible Connector must be used between the inlet pipe and the inlet swivel joint.

\* When shipped as a parcel package (via Fed-Ex or UPS Ground), Net wt. plus carton wt.

\*\*\* x,y indicate mounting holes. See page 2

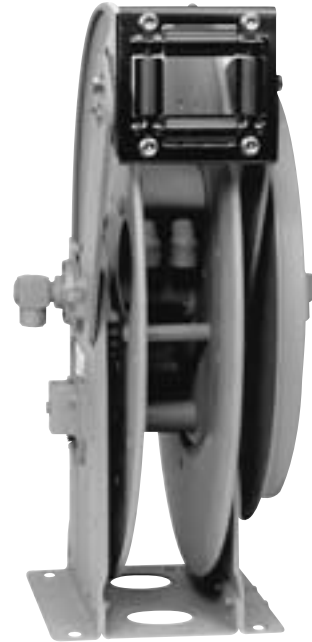


# N600

## SPRING REWIND DUAL HOSE REELS

To handle dual 1/4" through 1/2" I.D. hose.

- Narrow frame and compact mounting base.
- Non sparking ratchet assembly.
- Declutching arbor to prevent damage from reverse winding.
- Standard inlets 90° balanced pressure swivel joints 1/2" female NPT threads.
- Standard outlets 1/2" female NPT threads.
- Pressures to 3000 psi (207 bar)
- Temperatures from -60° F to +250° F (-51°C to +121°C).
- Consult factory for other pressures & temps.
- 4-way roller assembly.
- Constant Tension is available – consult factory.
- Reels for use with oxygen/acetylene.  
See Series N400 Hannay Reels Welding Catalog H-0408-W.



Optional TR roller position shown

For:

- Hydraulics
- Air/Water

- Spray Painting

### Parts Drawing – ISO 80

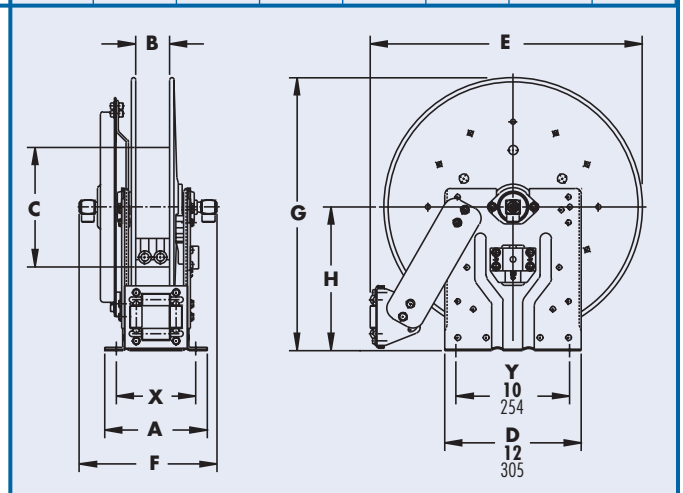
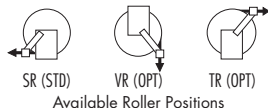
Model Number	Hose Capacity of Reel feet m.				Approx. Weight lb. kg.		Standard Roller Assy	Reel Dimensions*** inches mm.							
	I.D. (in) I.D. (mm)	1/4" 6	3/8" 10	1/2" 13	NET	SHIP		A	B	C	E	F	G	H	X
	O.D. (in) O.D. (mm)	5/8" 16	3/4" 19	7/8" 22											
N615-19-20C		2/35 2/11	2/35 2/11	2/20 2/6	63 28.6	78* 35.4	N203	9 229	3 76	10.5 267	20.75 527	11.75 298	20 508	10.62 270	7 178
N617-19-20J		2/50 2/15	2/50 2/15	2/25 2/8	66 29.9	86* 39	N205	11 279	5 127	10.5 267	20.75 527	13.75 349	20 508	10.62 270	9 229
N615-23-24B		2/65 2/20	2/60 2/18	2/30 2/9	87 39.5	104* 47.2	N203	9 229	3 76	10.5 267	23.75 603	11.75 298	24 610	12.62 321	7 178
N617-25-26-15.5B		2/75 2/23	2/75 2/23	2/50 2/15	93 42.2	128 58.1	N205	11 279	5 127	15.5 394	25.25 641	13.75 349	26 660	13.62 346	9 229
N617-25-26-15.5A		2/100 2/31	2/85 2/26	– –	120 54.4	155 70.3	N205	11 279	5 127	15.5 394	25.25 641	14.5 368	26 660	13.62 346	9 229

#### Notes:

1. Specifications subject to change.
2. Reel models and capacities shown are for standard drag applications; for vertical lift applications consult factory.
3. Other sizes, from standard components, available on request.
4. **Finish:** refer to Page 4.
5. **Be sure to check dimensions and weights prior to ordering.**

**NOTICE:** A Flexible Connector must be used between the inlet pipe and the inlet swivel joint.

\* When shipped as a parcel package (via Fed-Ex or UPS Ground).  
\*\*\* x,y indicate mounting holes. See page 2



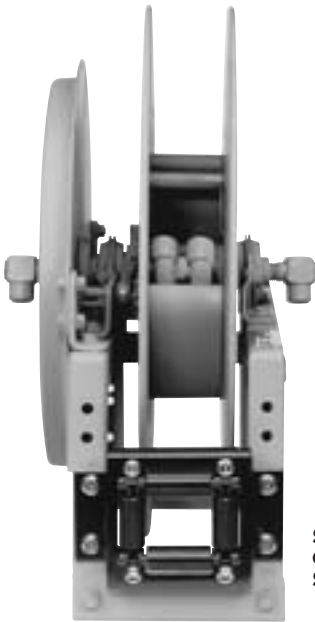
For hydraulic tool circuit applications full flow swivels w/viton seals are recommended (add 2.25 to "F" dim in chart)

# 600

## SPRING REWIND DUAL HOSE REELS

To handle dual 1/4" through 3/4" I.D. hose.

- Rollformed channel frame for heavy duty applications.
- Non sparking ratchet assembly.
- Declutching arbor to prevent damage from reverse winding.
- Standard inlets 90° balanced pressure swivel joints 1/2" female NPT threads. (1" inlet available).
- Standard outlets 1/2" female NPT threads. (3/4" outlet available).
- Pressures to 3000 psi (207 bar)
- Temperatures from -60° F to +250° F (-51°C to +121°C).
- Consult factory for other pressures & temps.
- 4-way roller assembly.
- Constant Tension is available – consult factory.
- Reels for use with oxygen/acetylene.  
See Series N400 Hannay Reels Welding Catalog H-0408-W.



Standard Configuration Shown

For:

- Hydraulics
- Air/Water
- Spray Painting

### Parts Drawing – ISO 8

Model Number	Hose Capacity of Reel					Approx. Weight		Standard Roller Assy	Reel Dimensions***									
	feet					NET	SHIP		inches									
	m.								mm.									
I.D. (in) I.D. (mm)	1/4" 6	3/8" 10	1/2" 13	3/4" 19				A	B	C	D	E	F	G	H	X	Y	
617-25-26-15.5B	2/75 2/23	2/75 2/23	2/50 2/15	–	–	93 42.2	128 58.1	R205	10.25 260	5 127	15.5 394	25 635	26.12 663	15.0 381	25.88 657	13.5 343	5.5 140	22 559
617-25-26-15.5A	2/100 2/31	2/85 2/26	–	–	–	120 54.4	155 70.3	R205	10.25 260	5 127	15.5 394	25 635	26.12 663	15.75 400	25.88 657	13.5 343	5.5 140	22 559
† 618-30-31-15.5A	–	–	2/100 2/31	2/50 2/15	–	130 59	165 74.8	R206	11.25 286	6 152	15.5 394	28.5 724	29.62 752	21.75 552	31.38 797	17 432	6.5 165	25.5 648

**Notes:**

1. Specifications subject to change.
2. Reel models and capacities shown are for standard drag applications; for vertical lift applications consult factory.
3. Other sizes, from standard components, available on request.
4. **Finish:** refer to Page 4.

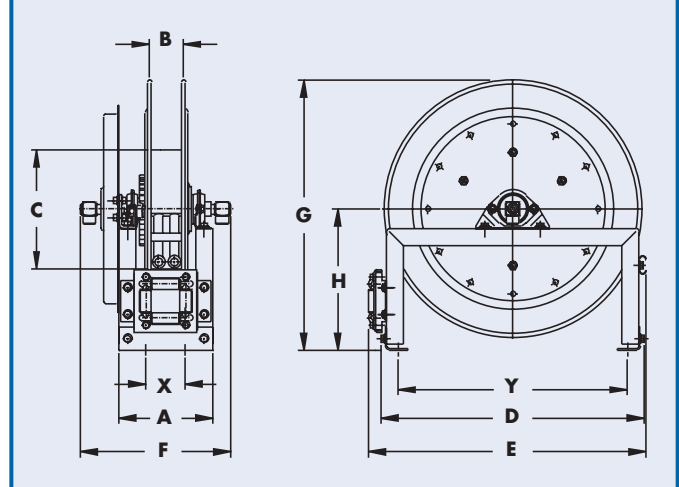
**5. Be sure to check dimensions and weights prior to ordering.**

**NOTICE:** A Flexible Connector must be used between the inlet pipe and the inlet swivel joint.

\*\*\* x,y indicate mounting holes. See page 2

NPT threads, standard outlets are 1/2" female NPT threads.

† Must specify if 1" joints and 3/4" outlet risers are required.



For hydraulic tool circuit applications full flow swivels w/viton seals are recommended (add 2.25 to "F" dim in chart)

# N700

## SPRING REWIND REELS

To handle 1/4" through 1/2" I.D. hose.

- Standard N Series has a narrow frame and compact mounting base.
- Non sparking ratchet assembly.
- Declutching arbor to prevent damage from reverse winding.
- Standard inlet 90° balanced pressure swivel joint 1/2" female NPT threads.
- Standard outlet 1/2" female NPT threads.
- Standard Pressures to 3000 psi (207 bar) (available up to 10,000 psi 690 bar).
- Temperatures from -60° F to +250° F (-51° C to +121° C).
- Consult factory for other pressures & temps.
- 4-way roller assembly.
- Constant Tension is available – consult factory.



Shown with  
Optional TR  
Roller Position

For:

- Lubrication
- Air/Water
- Assembly Operations
- Washdown
- Air Tools
- General Industrial Applications

### Parts Drawing – ISO 79

Model Number	Hose Capacity of Reel				Approx. Weight		Standard Roller Assy	Reel Dimensions***							
	feet m.				NET	Frt. SHIP Wt.		inches mm.							
	I.D. (in) I.D. (mm)	1/4" 6	3/8" 10	1/2" 13				A	B	C	E	F	G	H	X
N716-14-16-8C	–	25	25	–	52*	70	N204	10	4	8	17.62	11.25	16.25	9.12	8
	–	8	8	–	24	39		254	102	203	448	286	413	232	203
N716-16-17C	–	35	35	–	55*	71	N204	10	4	10.5	18.5	11.25	17	9.12	8
	–	11	11	–	25	32		254	102	267	470	286	432	232	203
N716-19-20J	–	50	50	–	64*	85	N204	10	4	10.5	20.75	11.25	20	10.62	8
	–	15	15	–	29	38		254	102	267	527	286	508	270	203
N716-23-24-15.5G	100	75	65	30	94*	129	N204	10	4	15.5	23.75	11.25	24	12.62	8
	–	23	20	–	43	59		254	102	394	603	286	610	321	203
N716-23-24-15.5J	–	65	65	–	79*	96	N204	10	4	15.5	23.75	11.25	24	12.62	8
	–	20	20	–	36	44		254	102	394	603	286	610	321	203
N716-25-26-15.5B	–	75	75	–	90	125	N204	10	4	15.5	25.25	11.25	26	13.62	8
	–	23	23	–	41	57		254	102	394	641	286	660	346	203
N718-25-26-15.5G	–	100	100	–	96	131	N206	12	6	15.5	25.25	13.25	26	13.62	10
	–	30	30	–	44	59		305	152	394	641	337	660	346	254

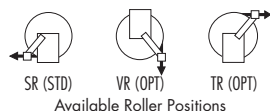
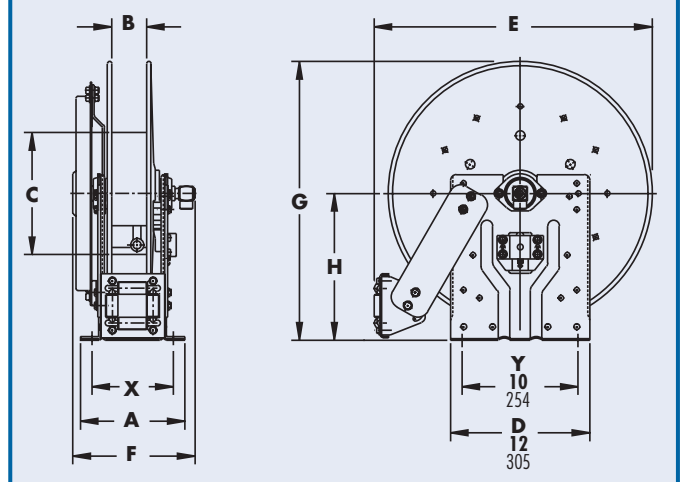
**Notes:**

1. Specifications subject to change.
2. Reel models and capacities shown are for standard drag applications; for vertical lift applications consult factory.
3. Other sizes, from standard components, available on request.
4. **Finish:** refer to Page 4.
5. **Be sure to check dimensions and weights prior to ordering.**

**NOTICE:** A Flexible Connector must be used between the inlet pipe and the inlet swivel joint.

\* When shipped as a parcel package (via Fed-Ex or UPS Ground).  
Net wt. plus carton wt.

\*\*\* x,y indicate mounting holes. See page 2



Available Roller Positions



# 700

## SPRING REWIND REELS

To handle 1/4" through 1/2" I.D. hose.



Standard Configuration Shown

- Rollformed channel frame for heavy-duty applications.
- Non sparking ratchet assembly.
- Declutching arbor to prevent damage from reverse winding.
- Standard inlet 90° balanced pressure swivel joint 1/2" female NPT threads.
- Standard outlet 1/2" female NPT threads.
- Standard Pressures to 3000 psi (207 bar) (available up to 10,000 psi 690 bar).
- Temperatures from -60° F to +250° F (-51° C to +121° C).
- Consult factory for other pressures & temps.
- 4-way roller assembly.
- Constant Tension is available – consult factory.

**For:**

- Lubrication
- Air/Water
- Assembly Operations
- Washdown
- Air Tools
- General Industrial Applications

**Parts Drawing – ISO 66**

Model Number	Hose Capacity of Reel			Approx. Weight		Standard Roller Assy	Reel Dimensions***									
	feet			NET	Frt. SHIP Wt.		inches									
	m.						mm.									
	I.D. (in) I.D. (mm)	3/8" 10	1/2" 13			A	B	C	D	E	F	G	H	X	Y	
716-25-26-15.5B		75 23	75 23	90 41	125 57	R204	9.25 235	4 102	15.5 394	25 635	26.12 663	12.75 324	25.88 657	13.5 343	4.5 114	22 559
718-25-26-15.5G		100 30	100 30	96 44	131 59	R206	11.25 286	6 152	15.5 394	25 635	26.12 663	14.75 375	25.88 657	13.5 343	6.5 165	22 559
718-30-31-20D		150 46	125 38	127 58	162 73	R206	11.25 286	6 152	20 508	28.5 724	29.62 752	15.5 394	31.38 797	17 432	6.5 165	25.5 648

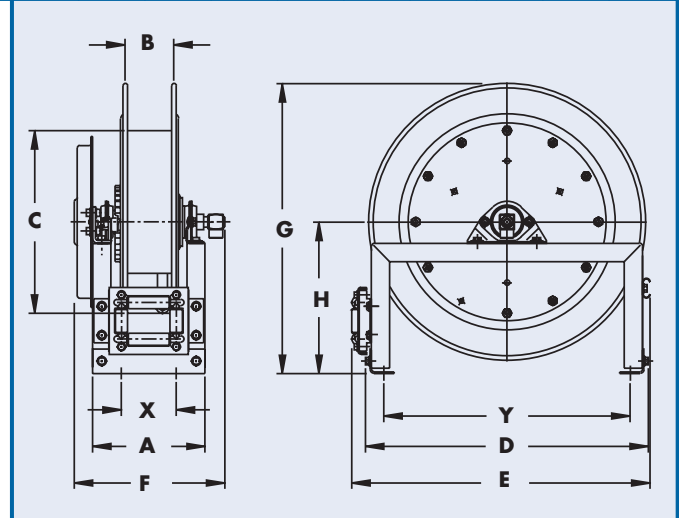
**Notes:**

1. Specifications subject to change.
2. Reel models and capacities shown are for standard drag applications; for vertical lift applications consult factory.
3. Other sizes, from standard components, available on request.
4. **Finish:** refer to Page 4.

**5. Be sure to check dimensions and weights prior to ordering.**

**NOTICE:** A Flexible Connector must be used between the inlet pipe and the inlet swivel joint.

\*\*\* x,y indicate mounting holes. See page 2



# N800

## SPRING REWIND REELS

To handle 3/4" or 1" I.D. hose.

- Standard N series has a narrow frame and compact mounting base.
- Non sparking ratchet assembly.
- Declutching arbor to prevent damage from reverse winding.
- Standard inlet 90° balanced pressure swivel joint 1" female NPT threads.
- Standard outlet 1" female NPT threads.
- Pressures to 1000 psi (69 bar).
- Temperatures from -40° F to +250° F (-40° C to +121° C).
- Consult factory for other pressures & temps.
- 4-way roller assembly
- Constant Tension is available – consult factory.



Optional TR roller position shown

For:

- Fuel Dispensing  
(Consult Factory)

- Waste Oil Evacuation
- Air/Water

### Parts Drawing – ISO 81

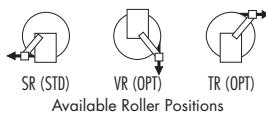
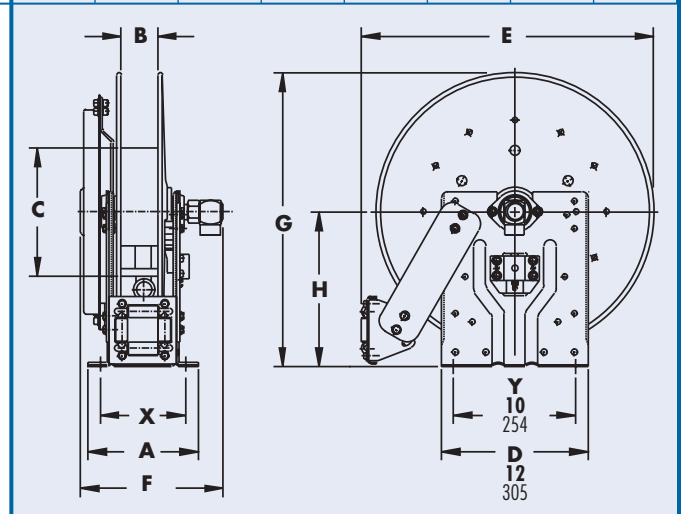
Model Number	Hose Capacity			Approx. Weight		Standard Roller Assy	Reel Dimensions***							
	feet			lb.	kg.		in.							
	m.						NET	SHIP	A	B	C	E	F	G
	I.D. (in) I.D. (mm)	3/4" 19	1" 25											
	O.D. (in) O.D. (mm)	1-9/32" 33	1-9/16" 40											
N816-19-20J		25 8	15 5	75 34	91* 41	N204	10 254	4 102	10.5 267	20.75 527	13 330	20 508	10.62 270	8 203
N818-23-24J		50 15	25 8	87 39	100 45	N206	12 305	6 152	10.5 267	23.75 603	15 381	24 610	12.62 321	10 254
N816-25-26B		60 18	35 11	96 44	131 59	N204	10 254	4 102	10.5 267	25.25 641	13 330	26 660	13.62 346	8 203
N818-25-26B		70 21	50 15	102 46	137 62	N206	12 305	6 152	10.5 267	25.25 641	15 381	26 660	13.62 346	10 254

**Notes:**

1. Specifications subject to change.
2. Reels models and capacities shown are for standard drag applications; for vertical lift applications consult factory.
3. Other sizes, from standard components, available on request.
4. **Finish:** refer to Page 4.
5. **Be sure to check dimensions and weights prior to ordering.**

**NOTICE:** A Flexible Connector must be used between the inlet pipe and the inlet swivel joint.

\* When shipped as a parcel package (via Fed-Ex or UPS Ground).  
 \*\*\* x,y indicate mounting holes. See page 2



# 800

## SPRING REWIND REELS

To handle 3/4" or 1" I.D. hose.



Standard Configuration Shown

- Rollformed channel frame for heavy-duty applications.
- Non sparking ratchet assembly.
- Declutching arbor to prevent damage from reverse winding.
- Standard inlet 90° balanced pressure swivel joint 1" female NPT threads.
- Standard outlet 1" female NPT threads.
- Pressures to 1000 psi (69 bar).
- Temperatures from -40° F to +250° F (-40° C to +121° C).
- Consult factory for other pressures & temps.
- 4-way roller assembly.
- Constant Tension is available – consult factory.

For:

- Fuel Dispensing (Consult Factory)
- Waste Oil Evacuation
- Air/Water

### Parts Drawing – ISO 42

Model Number	Hose Capacity			Approx. Weight		Standard Roller Assy	Reel Dimensions***										
	feet			lb.	kg.		in.										
	m.						NET	SHIP	A	B	C	D	E	F	G	H	X
	I.D. (in)	3/4"	1"														
	I.D. (mm)	19	25														
	O.D. (in)	1-9/32"	1-9/16"														
	O.D. (mm)	33	40														
816-25-26B		60	35	96	131	R204	9.25	4	10.5	25	26.12	13.5	25.88	13.5	4.5	22	
		18	11	44	59		235	102	267	635	663	343	657	343	114	559	
818-25-26B		70	50	102	137	R206	11.25	6	10.5	25	26.12	15.5	25.88	13.5	6.5	22	
		21	15	46	62		286	152	267	635	663	394	657	343	165	559	
820-25-26-10.5A		85	75	131	166	R308	13.25	8	10.5	25	27	18.25	25.88	13.5	8.5	22	
		26	23	59	75		337	203	267	635	686	464	657	343	216	559	
820-30-31-10.5A		-	100	137	172	R308	13.25	8	10.5	28.5	30.5	18.25	31.38	17	8.5	25.5	
		-	30	62	78		337	203	267	724	775	464	797	432	216	648	
820-30-31-15.5A		100	-	145	180	R308	13.25	8	15.5	28.5	30.5	18.25	31.38	17	8.5	25.5	
		30	-	66	82		337	203	394	724	775	464	797	432	216	648	

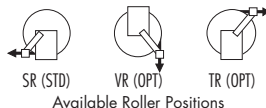
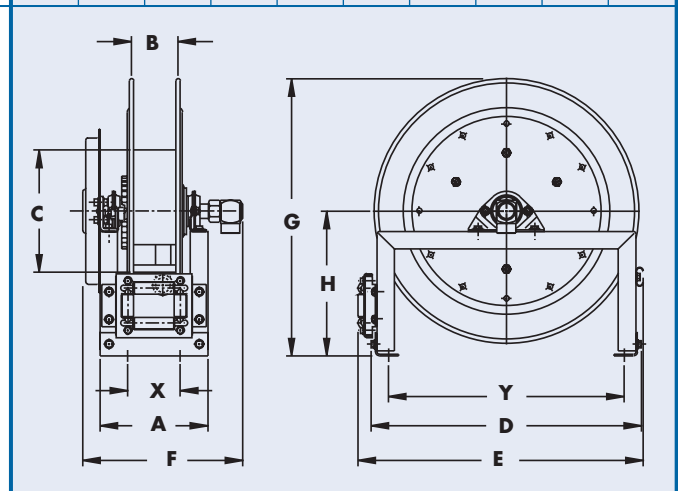
**Notes:**

1. Specifications subject to change.
2. Reels models and capacities shown are for standard drag applications; for vertical lift applications consult factory.
3. Other sizes, from standard components, available on request.
4. **Finish:** refer to Page 4.
5. **Be sure to check dimensions and weights prior to ordering.**

**NOTICE:** A Flexible Connector must be used between the inlet pipe and the inlet swivel joint.

\* When shipped as a parcel package (via Fed-Ex or UPS Ground).

\*\*\* x,y indicate mounting holes. See page 2

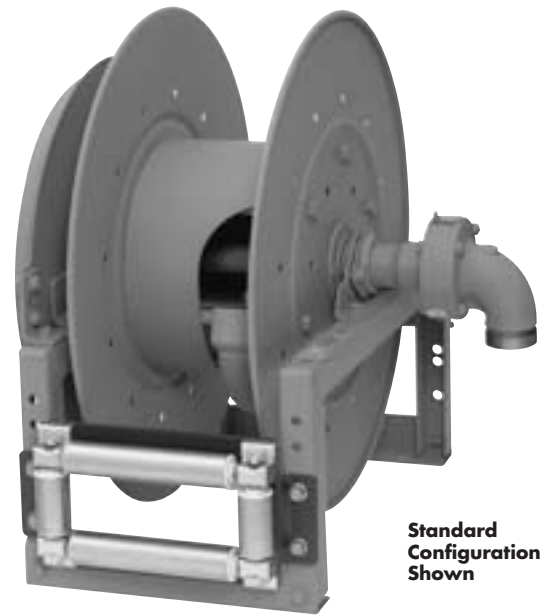


# 900

## SPRING REWIND REELS

To handle 1-1/4" or 1-1/2" I.D. hose.

- Rollformed channel frame construction.
- Non sparking ratchet assembly.
- Declutching arbor to prevent damage from reverse winding.
- Standard inlet 90° swivel joint 1-1/2" female NPT threads and 2" victaulic groove.
- Standard outlet 1-1/2" female NPT threads.
- Pressures to 600 psi (41 bar)
- Temperatures from -40° F to +175° F (-40° C to +79° C).
- Consult factory for other pressures & temps.
- 4-way roller assembly.
- Constant Tension is available – consult factory.



Standard Configuration Shown

For:

- Bulk Transfer
- Fuel Dispensing (Consult Factory)
- Suction/Discharge (Consult Factory)

### Parts Drawing – ISO 29

Model Number	Hose Capacity of Reel			Weight		Standard Roller Assy	Reel Dimensions***									
	feet			lb.	kg.		inches									
	m.						NET	SHIP	A	B	D	E	F	G	H	X
	I.D. (in) I.D. (mm)	1-1/4" 32	1-1/2" 38													
	O.D. (in) O.D. (mm)	1-13/16" 46	2-1/16" 52													
922-23-24B		40 12	25 8	104 47	139 63	R310	15.25 387	10 254	23.25 591	25.25 641	24 610	23.88 607	12.5 318	10.5 267	20.25 514	
920-25-26A		50 15	40 12	127 58	162 73	R308	13.25 337	8 203	25 635	27 686	22.75 578	25.88 657	13.5 343	8.5 216	22 559	
922-30-31A		75 23	50 15	156 71	191 87	R310	15.25 387	10 254	28.5 724	30.5 775	24.75 629	31.38 797	17 432	10.5 267	25.5 648	

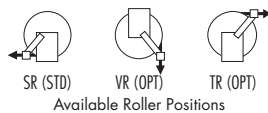
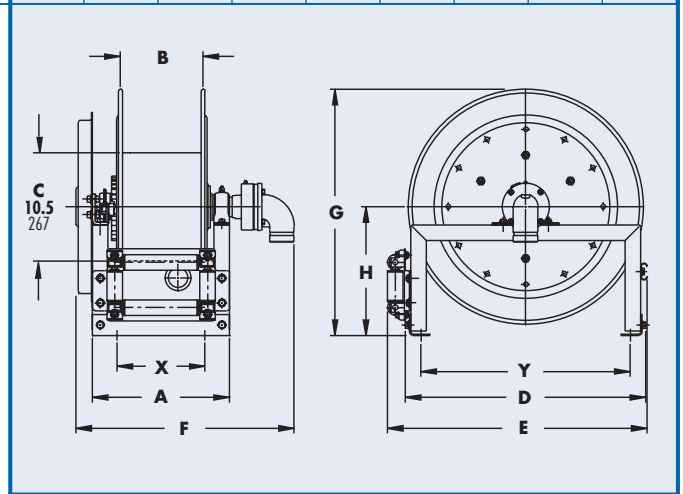
#### Notes:

1. Specifications subject to change.
2. Reel models and capacities shown are for standard drag applications; for vertical lift applications consult factory.
3. Other sizes, from standard components, available on request.
4. **Finish:** refer to Page 4.

**5. Be sure to check dimensions and weights prior to ordering.**

**NOTICE:** A Flexible Connector must be used between the inlet pipe and the inlet swivel joint.

\*\*\* x,y indicate mounting holes. See page 2

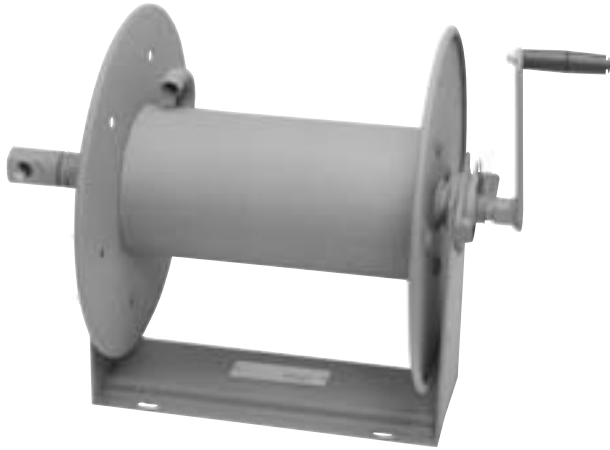


Available Roller Positions

# 1000

## COMPACT MANUAL REWIND REELS

To handle single 1/4" or 3/8" I.D. hose.



Standard Configuration Shown

- Lightweight
- Compact
- Direct crank rewind permanently attached.
- Adjustable cam lock brake standard.
- Optional pin lock available.
- Standard inlet 90° ball bearing swivel joint 1/2" female NPT threads.
- Standard outlet 3/8" female NPT threads.
- Pressures to 3000 psi (207 bar).
- Temperatures from +20° F to +400° F (-7° C to +204° C).
- Consult factory for other pressures & temps.

For:

- Pressure Washing
- Washdown
- Spray Operations
- Air

### Parts Drawing – ISO 165

Model Number	Hose Capacity of Reel			Approx. Weight		Reel Dimensions***			
	I.D. (in) I.D. (mm)	feet m.		NET	SHIP	A	B	F	X
	1/4" 6	3/8" 10							
	5/8" 16	3/4" 19							
1014-14-16	100 31	75 23		23 10	30* 14	8.12 206	6 152	19 483	4 102
1016-14-16	150 46	100 31		24 11	30* 14	10.12 257	8 203	21 533	6 152
1020-14-16	250 76	175 53		25 11	30* 14	14.12 359	12 305	25 635	10 254

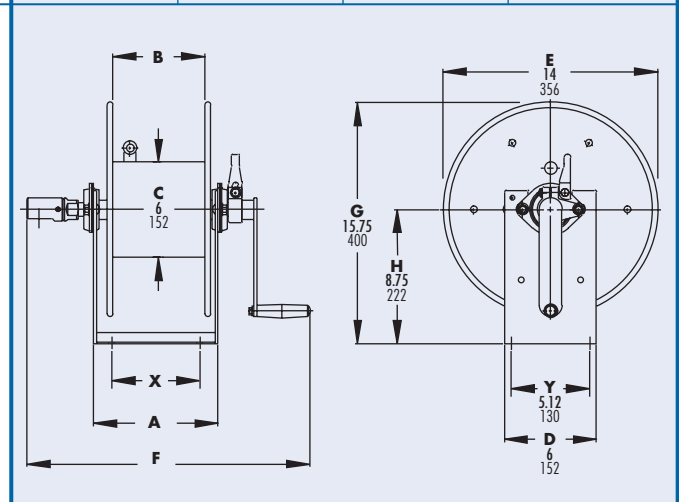
**Notes:**

1. Specifications subject to change.
2. Other sizes, from standard components, available on request.
3. **Finish:** refer to Page 4.

**4. Be sure to check dimensions and weights prior to ordering.**

**NOTICE:** A Flexible Connector must be used between the inlet pipe and the inlet swivel joint.

- \* When shipped as a parcel package (via Fed-Ex or UPS Ground).
- \*\*\* x,y indicate mounting holes. See page 2



# 1500

## MANUAL OR POWER REWIND REELS

To handle single 1/4" through 5/8" I.D. hose.

- Lightweight compact reels designed for long lengths of hose in manual and power rewind.
- Direct crank rewind is permanently attached.
- Chain and sprocket drive powered by electric, hydraulic, or compressed air motor.
- Direct crank rewind, cam-lock drag brake, spring actuated pin lock.
- Standard inlet 90° ball bearing swivel joint 1/2" female NPT threads.
- Standard outlet 1/2" female NPT threads.
- Optional Rollers: Specify roller position when ordering.
- Pressures to 3000 psi (207 bar)
- Temperatures from +20° F to +400° F (-7° C to +204° C).
- Consult factory for other pressures & temps.



Electric Rewind  
Standard Configuration Shown

For:

- Lawn Care
- Pest Control
- Pressure Washing
- Agriculture
- Steam Cleaning



Optional External Mounting Brackets part no. 9906.0025. Add 2-1/2" to the X dimensions shown in the chart.

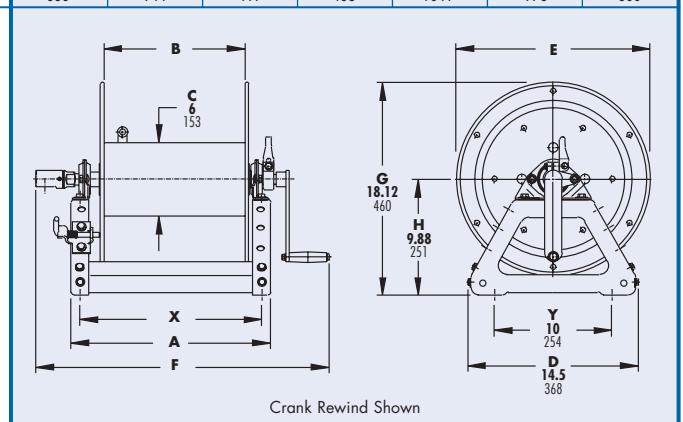
### Parts Drawing – ISO 90 (power); ISO 179 (manual)

Model Number	Hose Capacity of Reel					Approx. Weight		Reel Dimensions***						
	I.D. (in) I.D. (mm)	1/4" 6	3/8" 10	1/2" 13	5/8" 16	NET	SHIP	A	B	E CRANK	E POWER	F CRANK	F POWER	X
For Power Rewind See Note 5	O.D. (in) O.D. (mm)	5/8" 16	3/4" 19	7/8" 22	1" 25									
1514-17-18		175 53	125 38	75 23	50 15	27 12	50* 23	11 279	6 152	16.5 419	19 483	19 483	16.5 419	9.5 241
1520-17-18		350 107	275 84	175 53	125 38	29 13	50* 23	17 432	12 305	16.5 419	19 483	25 635	22.5 572	15.5 394
1526-17-18		500 152	400 122	300 91	200 61	31 14	50* 23	23 584	18 457	16.5 419	19 483	31 787	28.5 724	21.5 546
1530-17-18		– –	500 152	375 114	275 84	33 15	50* 23	27 686	22 559	16.5 419	19 483	35 889	32.5 826	25.5 648
1536-17-18		– –	– –	475 145	350 107	35 16	50* 23	33 838	28 711	16.5 419	19 483	41 1041	38.5 978	31.5 800

#### Notes:

1. Specifications subject to change.
2. Upon request, reels can be supplied with drum lengths other than shown.
3. Weights shown in chart are for crank rewind models. ADD these amounts for power rewind models:
 

	Net (lbs.)	Ship (lbs.)	Net (kg.)	Ship (kg.)
Electric	18	18	8.2	8.2
Hydraulic	15	15	6.8	6.8
Air	15	15	6.8	6.8
4. Dimension "F" is the overall length of standard reel reels.
5. When ordering power rewind models, prefix model number with:
  - A = Air Rewind    E = Electric Rewind    HD = Hydraulic Rewind
 (Air rewind reels are supplied with control valve and hose; 12v and 24v DC rewind reels are supplied with switch and solenoid; 115v AC rewind reels are not supplied with switch but can be ordered separately; hydraulic rewind reels are not supplied with control valve.)
6. Manual rewind available in RT or LB configurations only.
7. **Finish:** refer to Page 4.
8. **Be sure to check dimensions and weights prior to ordering.**
9. Some roller options may prohibit the use of our molded chain guard.



Crank Rewind Shown

**NOTICE:** A Flexible Connector must be used between the inlet pipe and the inlet swivel joint.

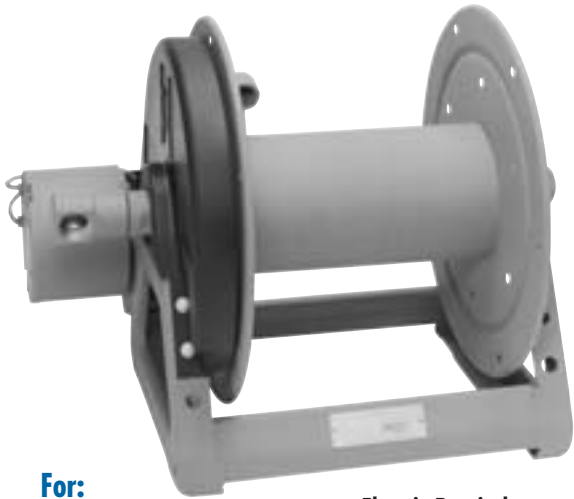
\* When shipped as a parcel package (via Fed-Ex or UPS Ground).  
\*\*\* x,y indicate mounting holes. See page 2

# 1800

## MANUAL OR POWER REWIND REELS

To handle single 5/8" or 3/4" I.D. hose.

- Lightweight compact reels designed for long lengths of hose in manual and power rewind.
- Direct crank rewind is permanently attached.
- Chain and sprocket drive powered by electric, hydraulic, or compressed air motor.
- Direct crank rewind, cam-lock drag brake, spring actuated pin lock.
- Standard inlet 90° ball bearing swivel joint 1" female NPT threads.
- Standard outlet 3/4" female NPT threads.
- Optional Rollers: Specify roller position when ordering.
- Some roller options may prohibit the use of our molded chain guard.
- Pressures to 1000 psi (69 bar).
- Temperatures from -40° F to +250° F (-40° C to +121° C).
- Consult factory for other pressures & temps.



- For:
- Air Compressors
  - Washdown

Electric Rewind  
Standard Configuration  
Shown



Optional External  
Mounting Brackets part  
no. 9906.0025.  
Add 2-1/2" to the X  
dimensions shown in  
the chart.

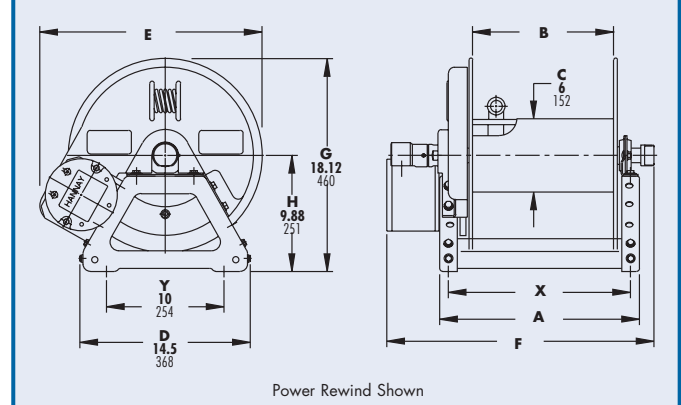
### Parts Drawing – ISO 136

Model Number	Hose Capacity of Reel			Approx. Weight		Reel Dimensions****						
	I.D. (in) I.D. (mm)	5/8" 16	3/4" 19	NET	SHIP	A	B	E CRANK	E POWER	F CRANK	F POWER	X
1816-17-18		75 23	50 15	28 13	50* 23	13 330	8 203	16.5 419	19 483	23.38 594	18.5 470	11.5 292
1822-17-18		150 46	100 30	30 14	50* 23	19 483	14 356	16.5 419	19 483	29.38 746	24.5 622	17.5 445
1826-17-18		200 61	125 38	32 15	50* 23	23 584	18 457	16.5 419	19 483	33.38 848	28.5 724	21.5 546
1830-17-18		275 84	150 46	33 15	50* 23	27 686	22 559	16.5 419	19 483	37.38 950	32.5 826	25.5 648
1836-17-18		350 107	200 61	36 16	50* 23	33 838	28 711	16.5 419	19 483	43.38 1102	38.5 978	31.5 800

#### Notes:

1. Specifications subject to change.
2. Upon request, reels can be supplied with drum lengths other than shown.
3. Weights shown in chart are for crank rewind models. ADD these amounts for power rewind models:
 

	Net (lbs.)	Ship (lbs.)	Net (kg.)	Ship (kg.)
Electric	18	18	8.2	8.2
Hydraulic	15	15	6.8	6.8
Air	15	15	6.8	6.8
4. Dimension "F" is the overall length of standard model reels.
5. When ordering power rewind models, prefix model number with:
  - A = Air Rewind    E = Electric Rewind    HD = Hydraulic Rewind
 (Air rewind reels are supplied with control valve and hose; 12v and 24v DC rewind reels are supplied with switch and solenoid; 115v AC rewind reels are not supplied with switch but can be ordered separately; hydraulic rewind reels are not supplied with control valve.)
6. Manual rewind available in RT or LB configurations only.
7. **Finish:** refer to Page 4.
8. **Be sure to check dimensions and weights prior to ordering.**
9. Some roller options may prohibit the use of our molded chain guard.



**NOTICE:** A Flexible Connector must be used between the inlet pipe and the inlet swivel joint.

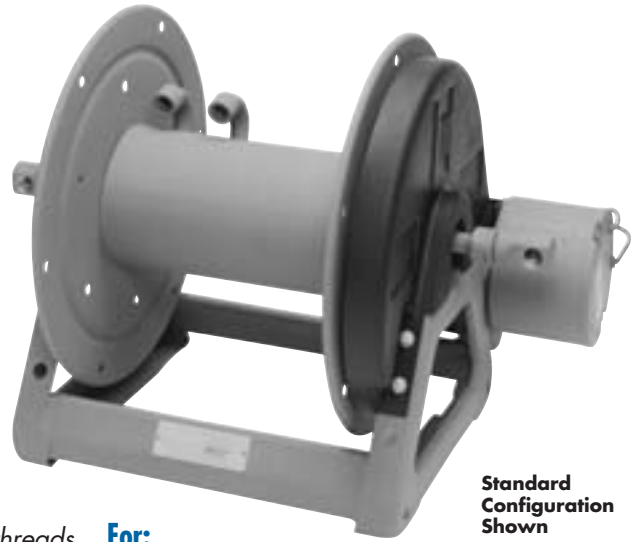
\* When shipped as a parcel package (via Fed-Ex or UPS Ground).  
 \*\*\*\* x,y indicate mounting holes. See page 2

# 2000

## MANUAL OR POWER REWIND REELS

To handle dual 1/4" through 1/2" I.D. hose.

- Two swivel joint inlets and two outlet risers to handle two equal lengths of hose.
- Chain-drive crank rewind or chain and sprocket rewind powered by an electric, or compressed air motor.
- MX Crank rewind reels pinion brake as standard.
- Power rewind reels are not supplied with a brake.
- Standard inlets 90° ball bearing swivel joints 1/2" female NPT threads.
- Standard outlets 1/2" female NPT threads.
- Pressures to 3000 psi (207 bar).
- Temperatures from +20° F to +400° F (-7° C to +204° C).
- Consult factory for other pressures & temps.
- Reels for use with oxygen/acetylene.  
See Series 2400 Hannay Reels Welding Catalog H0408-W.



Standard Configuration Shown

For:

- Hydraulics
- Air/Water
- Spray Painting



Optional External Mounting Brackets part no. 9906.0025. Add 2-1/2" to the X dimensions shown in the chart.

### Parts Drawing – ISO 112

Model Number	Hose Capacity of Reel				Approx. Weight Crank Rewind <sup>3</sup>		Reel Dimensions***						
	feet m.				NET	SHIP	inches mm.						
	I.D. (in) I.D. (mm)	1/4"	3/8"	1/2"			A	B	E CRANK	E POWER	F CRANK	F POWER	X
For Power Rewind See Note 5	O.D. (in) O.D. (mm)												
2016-17-18	2/100 2/31	2/75 2/23	2/50 2/15	32 15	50* 23	13 330	8 203	18.5 470	19 483	21 533	20.75 527	11.5 292	
2020-17-18	2/175 2/53	2/125 2/38	2/75 2/23	34 15	50* 23	17 432	12 305	18.5 470	19 483	25 635	24.75 629	15.5 394	
2026-17-18	2/275 2/84	2/200 2/61	2/125 2/38	36 16	50* 23	23 584	18 457	18.5 470	19 483	31 787	30.75 781	21.5 546	
2030-17-18	2/350 2/107	2/250 2/76	2/175 2/53	37 17	50* 23	27 686	22 559	18.5 470	19 483	35 889	34.75 883	25.5 648	
2036-17-18	2/425 2/130	2/300 2/91	2/225 2.69	39 18	50 23	33 838	28 711	18.5 470	19 483	41 1041	40.75 1035	31.5 800	

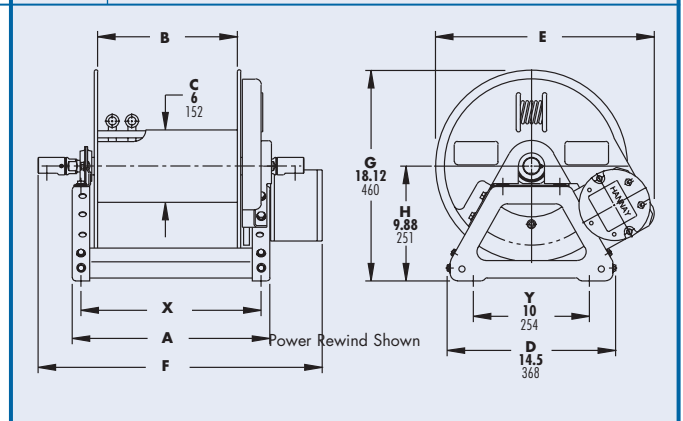
**Notes:**

- Specifications subject to change.
- Upon request, reels can be supplied with drum lengths other than shown and with disc sizes in other diameters.
- Weights shown in chart are for crank rewind models. ADD these amounts for power rewind models:
 

	Net (lbs.)	Ship (lbs.)	Net (kg.)	Ship (kg.)
Electric	18	18	8.2	8.2
Air	15	15	6.8	6.8
- Dimension "F" is the overall length of standard model reels. MX chain drive crank models, reels require 2" clearance to remove crank handle.
- When ordering, prefix model number with:
 

A = Air Rewind	E = Electric Rewind
MX = Chain Drive Crank	

 (Air rewind reels are supplied with control valve and hose; 12v and 24v DC rewind reels are supplied with switch and solenoid; 115v AC rewind reels are not supplied with switch but can be ordered separately.)
- Finish:** refer to Page 4.
- Be sure to check dimensions and weights prior to ordering.**
- Some roller options may prohibit the use of our molded chain guard.



**NOTICE:** A Flexible Connector must be used between the inlet pipe and the inlet swivel joint.

\* When shipped as a parcel package (via Fed-Ex or UPS Ground).  
\*\*\* x,y indicate mounting holes. See page 2



# G2000

## MANUAL REWIND REELS

To handle dual 1/4" through 1/2" I.D. hose.

- Two swivel joint inlets and two outlet risers to handle two equal lengths of hose.
- Gear-drive crank rewind.
- Pinion brake as standard.
- Standard inlets 90° ball bearing swivel joints 1/2" female NPT threads.
- Standard outlets 1/2" female NPT threads.
- Pressures to 3000 psi (207 bar).
- Temperatures from +20° F to +400° F (-7° C to +204° C).
- Consult factory for other pressures & temps.
- For power rewind see Series 2000, pg. 16.
- Reels for use with oxygen/acetylene. (See Welding Catalog H-0408-W).



- For:
- Hydraulics
  - Air/Water
  - Spray Painting

Standard Gear Driven Crank Rewind Shown



Optional External Mounting Brackets part no. 9906.0025. Add 2-1/2" to the X dimensions shown in the chart.

### Parts Drawing – ISO 205

Model Number	Hose Capacity of Reel				Approx. Weight Crank Rewind		Reel Dimensions***			
	I.D. (in) I.D. (mm)	1/4" 6	3/8" 10	1/2" 13	NET	SHIP	A	B	F	X
G2016-17-18-8		2/75 2/23	2/50 2/15	2/35 2/11	40 15	50* 23	13 330	8 203	21 533	11.5 292
G2020-17-18-8		2/125 2/38	2/100 2/31	2/50 2/15	42 18	50* 23	17 432	12 305	25 635	15.5 394
G2026-17-18-8		2/200 2/61	2/150 2/46	2/100 2/31	44 19	50* 23	23 584	18 457	31 787	21.5 546

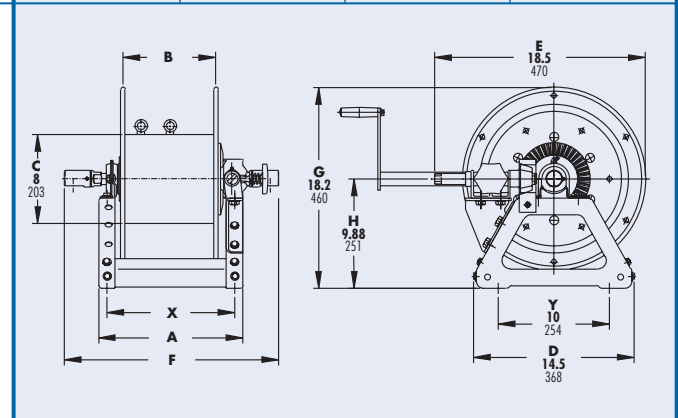
**Notes:**

1. Specifications subject to change.
2. Upon request, reels can be supplied with drum lengths other than shown.
3. **Finish:** refer to Page 4.

**4. Be sure to check dimensions and weights prior to ordering.**

**NOTICE:** A Flexible Connector must be used between the inlet pipe and the inlet swivel joint.

- \* When shipped as a parcel package (via Fed-Ex or UPS Ground).
- \*\*\* x,y indicate mounting holes. See page 2

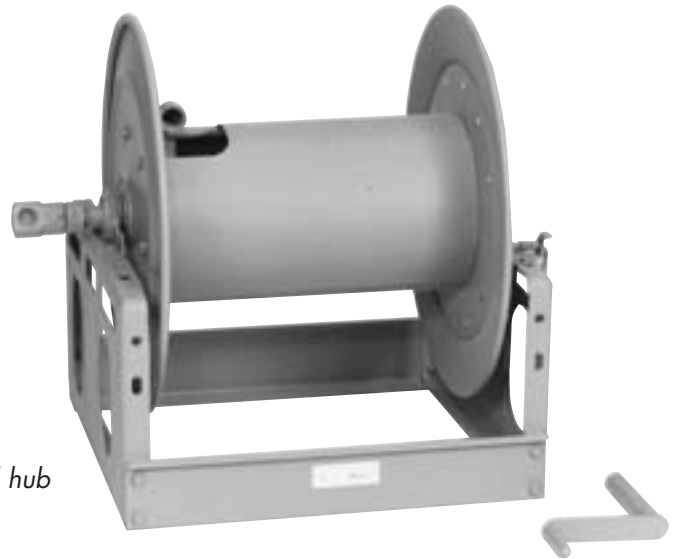


# 3000

## MANUAL REWIND REELS

To handle 3/4" or 1" I.D. hose.

- Economical manual rewind reels for long lengths of hose.
- Choose disc rewind or removable direct crank rewind.
- Supplied with spring-actuated pin lock.
- Standard inlet 90° ball bearing swivel joint 1" female NPT threads.
- Standard outlet 1" female NPT thread.
- Optional bronze or aluminum swivel joint and stainless steel hub assembly and riser, are available
- Optional Rollers may be purchased.
- Pressures to 1000 psi (69 bar)
- Temperatures from -60° F to +250° F (-51° C to +121° C).
- Consult factory for other pressures & temps.



Standard with Crank Handle

For:

- Fuel Dispensing (Consult Factory)
- Spray Operations
- Fire Protection

### Parts Drawing – ISO 113

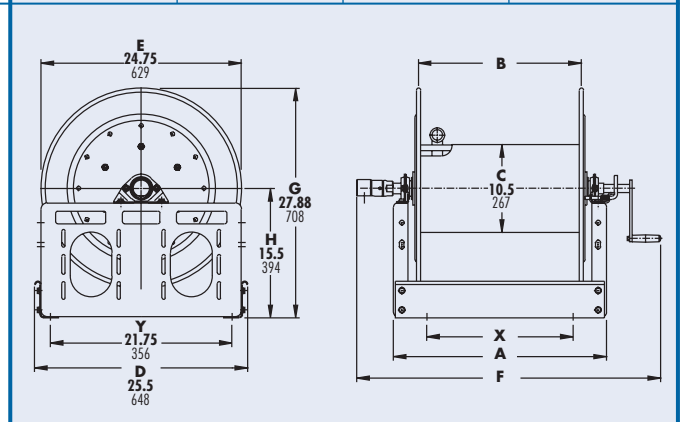
Model Number	Hose Capacity of Reel			Approx. Weight		Reel Dimensions***				
	feet			lb.		inches				
	m.			kg.		mm.				
	Round Hose		Collapsible Hose	NET	SHIP	A	B	F	X	
I.D. (in)	3/4"	1"	1"							
	I.D. (mm)	19	25	25						
	O.D. (in)	1-9/32"	1-9/16"	1/2"x1-3/4"						
	O.D. (mm)	33	40	13 x 44						
3016-25-26		100 30	50 15	200 61	85 39	120 54	13 330	7.5 191	23.75 603	7.75 197
3020-25-26		150 46	100 30	300 91	94 43	129 59	17 432	11.5 292	27.75 705	9 229
3024-25-26		250 76	150 46	400 122	103 47	138 63	21 533	15.5 394	31.75 806	13 330
3028-25-26		300 91	200 61	550 168	113 51	155 70	25.5 648	20 508	36.25 921	17.5 445

**Notes:**

1. Specifications subject to change.
2. Upon request, reels can be supplied with drum lengths other than shown and with disc sizes in other diameters.
3. **Power rewind NOT available on these models.**
4. Dimension "F" is the overall length of standard model reels. Crank rewind models, 3-1/2" clearance required to remove crank.
5. Subtract 5" from 'F' dimension for disc rewind models.
6. **Finish:** Call factory for offshore/marine finish, available at extra cost. Refer to Page 4.
7. **Be sure to check dimensions and weights prior to ordering.**

**NOTICE:** A Flexible Connector must be used between the inlet pipe and the inlet swivel joint.

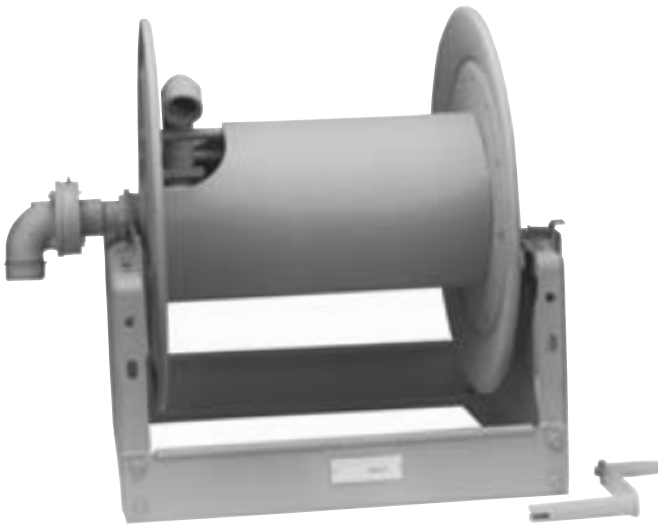
\*\*\* x,y indicate mounting holes. See page 2



# 3500

## MANUAL REWIND REELS

To handle 1" through 1-3/4" I.D. hose.



Standard with Crank Handle

For:

- Fuel Dispensing (Consult Factory)
- Bulk Transfer
- Fire Protection

- Economical manual rewind reels for long lengths of hose.
- Choose disc rewind or removable direct crank rewind.
- Supplied with spring-actuated pin lock.
- Standard inlet 90° swivel joint 1-1/2" female NPT threads and 2" victaulic groove.
- Standard outlet flanged riser with 1-1/2" female NPT threads.
- Optional bronze or aluminum swivel joint and stainless steel hub assembly and riser, are available
- Optional Rollers may be purchased.
- Pressures to 600 psi (41 bar)
- Temperatures from -40° F to +175° F (-40° C to +79° C).
- Consult factory for other pressures & temps.

### Parts Drawing – ISO 111

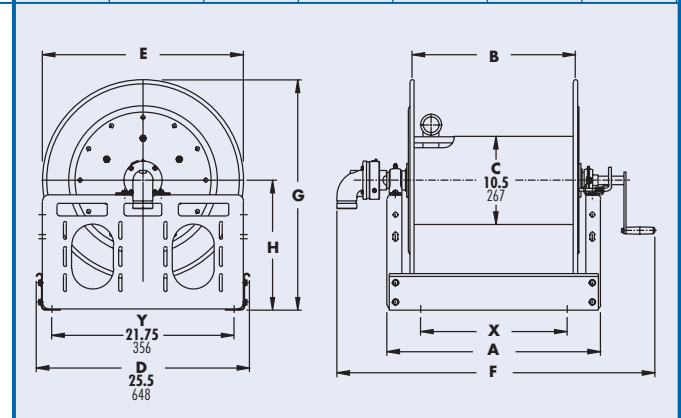
Model Number	Hose Capacity of Reel feet m.				Approx. Weight Crank Rewind lb. kg.		Reel Dimensions*** inches mm.							
	Round Hose		Collapsible Hose		NET	SHIP	A	B	E	F	G	H	X	
	I.D. (in) I.D. (mm)	1" / 25	1-1/2" / 38	1-1/2" / 38										1-3/4" / 44
	O.D. (in) O.D. (mm)	1-9/16" / 40	2-1/16" / 52	3/4"x3" / 19 x 76	7/8"x3-1/4" / 22 x 83									
3516-25-26		50 / 15	— / —	50 / 15	50 / 15	95 / 43	130 / 59	13 / 330	7.5 / 191	24.75 / 629	26 / 660	27.88 / 708	15.5 / 394	7.75 / 197
3520-25-26		100 / 30	50 / 15	100 / 30	75 / 23	104 / 47	139 / 63	17 / 432	11.5 / 292	24.75 / 629	30 / 762	27.88 / 708	15.5 / 394	9 / 229
3524-25-26		150 / 46	75 / 23	150 / 46	100 / 30	113 / 51	157 / 71	21 / 533	15.5 / 394	24.75 / 629	34 / 864	27.88 / 708	15.5 / 394	13 / 330
3528-25-26		200 / 61	100 / 30	200 / 61	150 / 46	123 / 56	173 / 78	25.5 / 648	20 / 508	24.75 / 629	38.5 / 978	27.88 / 708	15.5 / 394	17.5 / 445
3524-30-31		200 / 61	100 / 30	250 / 76	150 / 46	124 / 56	174 / 79	21 / 533	15.5 / 394	28.75 / 730	34 / 864	29.88 / 759	15.5 / 394	13 / 330
3528-30-31		250 / 76	150 / 46	300 / 91	250 / 76	134 / 61	184 / 83	25.5 / 648	20 / 508	28.75 / 730	38.5 / 978	29.88 / 759	15.5 / 394	17.5 / 445
3534-30-31		350 / 107	200 / 61	450 / 137	350 / 107	147 / 67	197 / 89	31.5 / 800	26 / 660	28.75 / 730	44.5 / 1130	29.88 / 759	15.5 / 394	23.5 / 597
3530-33-34		400 / 122	250 / 76	450 / 137	350 / 107	138 / 63	188 / 85	27.5 / 699	22 / 559	31.75 / 806	40.5 / 1029	32.38 / 822	16.5 / 419	19.5 / 495

**Notes:**

1. Specifications subject to change.
2. Upon request, reels can be supplied with drum lengths other than shown and with disc sizes in other diameters.
3. **Power rewind NOT available on these models.**
4. Dimension "F" is the overall length of standard model reels. Crank rewind models, 3-1/2" clearance required to remove crank.
5. Subtract 5" from 'F' dimension for disc rewind models.
6. **Finish:** Call factory for offshore/marine finish, available at extra cost. Refer to Page 4.
7. **Be sure to check dimensions and weights prior to ordering.**

**NOTICE:** A Flexible Connector must be used between the inlet pipe and the inlet swivel joint.

\*\*\* x,y indicate mounting holes. See page 2

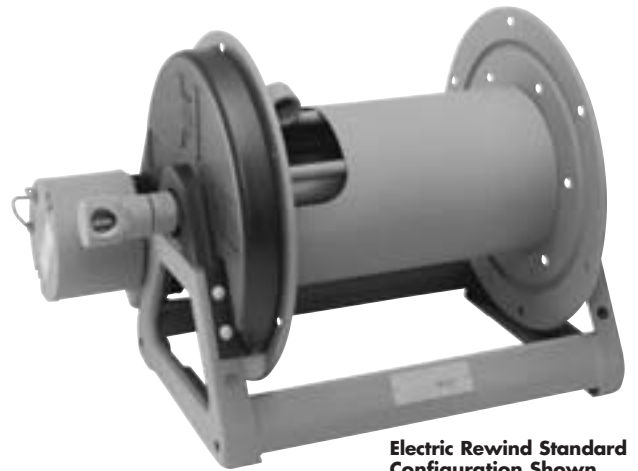


# 4000

## MANUAL OR POWER REWIND REELS

To handle single 3/4" or 1" I.D. hose.

- Lightweight compact reels designed for long lengths of hose in manual and power rewind.
- Direct crank rewind is removable.
- Chain and sprocket drive powered by electric, hydraulic, or compressed air motor.
- Direct crank rewind, cam-lock drag brake, spring actuated pin lock.
- Standard inlet 90° ball bearing swivel joint 1" female NPT threads.
- Standard outlet 1" female NPT threads.
- Optional Rollers: Specify roller position when ordering.
- Pressures to 1000 psi (69 bar).
- Temperatures from -60° F to +250° F (-51° C to +121° C).
- Consult factory for other pressures & temps.



Electric Rewind Standard Configuration Shown

For:

- Fuel Dispensing (Consult Factory)
- Fire Protection

- Water Supply
- Chemical Transfer



Optional External Mounting Brackets part no. 9906.0025. Add 2-1/2" to the X dimensions shown in the chart.

### Parts Drawing – ISO 68

Model Number	Hose Capacity of Reel			Approx. Weight		Reel Dimensions***						
	I.D. (in) I.D. (mm)	3/4" 19	1" 25	NET	SHIP	A	B	E CRANK	E POWER	F CRANK	F POWER	X
For Power Rewind See Note 5	O.D. (in) O.D. (mm)	1-9/32" 33	1-9/16" 40									
4018-17-18		50 15	35 11	36 16	50* 23	15 381	10 254	16.5 419	19 483	27 686	20.5 521	13.5 343
4024-17-18		100 30	50 15	46 21	56* 25	21 533	16 406	16.5 419	19 483	33 838	26.5 673	19.5 495
4030-17-18		150 46	75 23	57 26	62* 28	27 686	22 559	16.5 419	19 483	39 991	32.5 826	25.5 648
4038-17-18		200 61	100 30	70 32	112 51	35 889	30 762	16.5 419	19 483	47 1194	40.5 1029	33.5 851

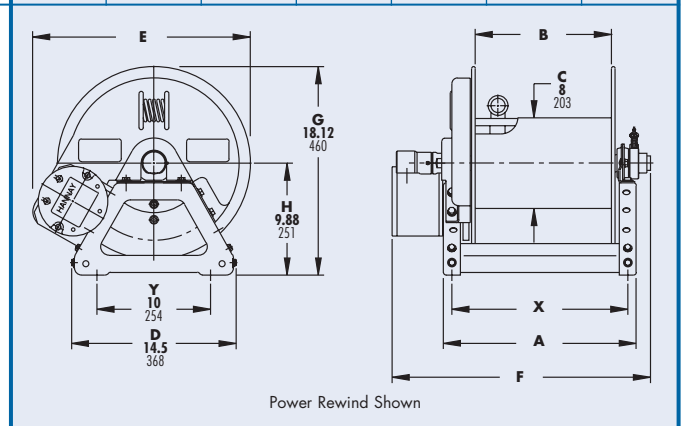
#### Notes:

1. Specifications subject to change.
  2. Upon request, reels can be supplied with drum lengths other than shown.
  3. Weights shown in chart are for crank rewind models. ADD these amounts for power rewind models:
 

	Net (lbs.)	Ship (lbs.)	Net (kg.)	Ship (kg.)
Electric	18	18	8.2	8.2
Hydraulic	15	15	6.8	6.8
Air	15	15	6.8	6.8
  4. Dimension "F" is the overall length of standard model reels. Crank rewind reels require 3-1/2" clearance to remove or install crank handle.
  5. When ordering power rewind models, prefix model number with:  
A = Air Rewind E = Electric Rewind HD = Hydraulic Rewind  
(Air rewind reels are supplied with control valve and hose; 12v and 24v DC rewind reels are supplied with switch and solenoid; 115v AC rewind reels are not supplied with switch but can be ordered separately; hydraulic rewind reels are not supplied with control valve.)
  6. **Finish:** refer to Page 4.
  7. **Be sure to check dimensions and weights prior to ordering.**
  8. Some roller options may prohibit the use of our molded chain guard.
- NOTICE:** A Flexible Connector must be used between the inlet pipe and the inlet swivel joint.

\* When shipped as a parcel package (via Fed-Ex or UPS Ground).

\*\*\* x,y indicate mounting holes. See page 2, also for external mounting brackets.





Electric Rewind Shown with Gear Driven Crank Rewind

# 4100

## MANUAL OR POWER REWIND REELS

To handle single 3/4" or 1" I.D. hose.

- Lightweight compact reels designed for long lengths of hose in manual and power rewind.
- Gear driven crank rewind handle is removable.
- Chain and sprocket drive powered by electric, hydraulic, or compressed air motor.
- Gear driven crank rewind, adjustable pinion brake.
- Standard inlet 90° ball bearing swivel joint 1" female NPT threads.
- Standard outlet 1" female NPT threads.
- Optional Rollers: Specify roller position when ordering.
- Pressures to 1000 psi (69 bar).
- Temperatures from -60° F to +250° F (-51° C to +121° C).
- Consult factory for other pressures & temps.

**For:**

- Fuel Dispensing (Consult Factory)
- Fire Protection
- Water Supply
- Chemical Transfer

**Parts Drawing – ISO 206**

Model Number	Hose Capacity of Reel <u>feet</u> m.			Approx. Weight Crank Rewind <sup>3</sup> <u>lb.</u> kg.		Reel Dimensions*** <u>inches</u> mm.					
	I.D. (in) I.D. (mm)	3/4" 19	1" 25	NET	SHIP	A	B	E CRANK	E POWER	F	X
For Power Rewind See Note 5	O.D. (in) O.D. (mm)	1-9/32" 33	1-9/16" 40								
4118-17-18		50 15	35 11	62 28	97 44	15 381	10 254	18 457	20.5 521	21.5 546	7.5 190
4124-17-18		100 30	50 15	72 33	107 49	21 533	16 406	18 457	20.5 521	27.5 699	13.5 343
4130-17-18		150 46	75 23	83 38	118 54	27 686	22 559	18 457	20.5 521	33.5 851	19.5 495
4138-17-18		200 61	100 30	96 44	131 59	35 889	30 762	18 457	20.5 521	41.5 1054	27.5 698

**Notes:**

1. Specifications subject to change.
2. Upon request, reels can be supplied with drum lengths other than shown.
3. Weights shown in chart are for crank rewind models. ADD these amounts for power rewind models:

	Net (lbs.)	Ship (lbs.)	Net (kg.)	Ship (kg.)
Electric	18	18	8.2	8.2
Hydraulic	15	15	6.8	6.8
Air	15	15	6.8	6.8

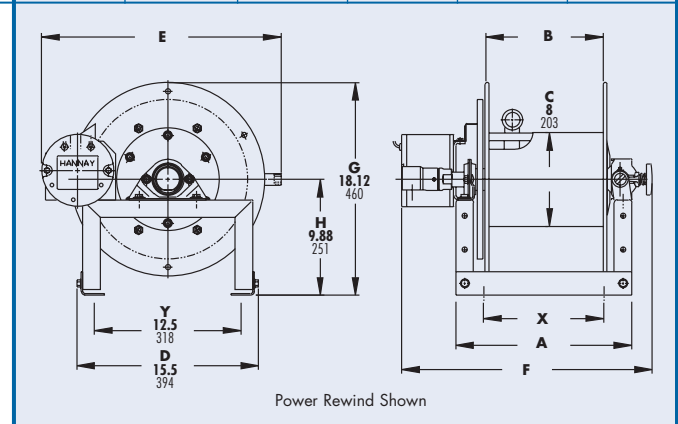
4. Dimension "F" is the overall length of standard model reels.
5. When ordering power rewind models, prefix model number with:  
A = Air Rewind    E = Electric Rewind    HD = Hydraulic Rewind  
(Air rewind reels are supplied with control valve and hose; 12v and 24v DC rewind reels are supplied with switch and solenoid; 115v AC rewind reels are not supplied with switch but can be ordered separately; hydraulic rewind reels are not supplied with control valve.)

6. **Finish:** refer to Page 4.

7. **Be sure to check dimensions and weights prior to ordering.**

**NOTICE:** A Flexible Connector must be used between the inlet pipe and the inlet swivel joint.

\*\*\* x,y indicate mounting holes. See page 2



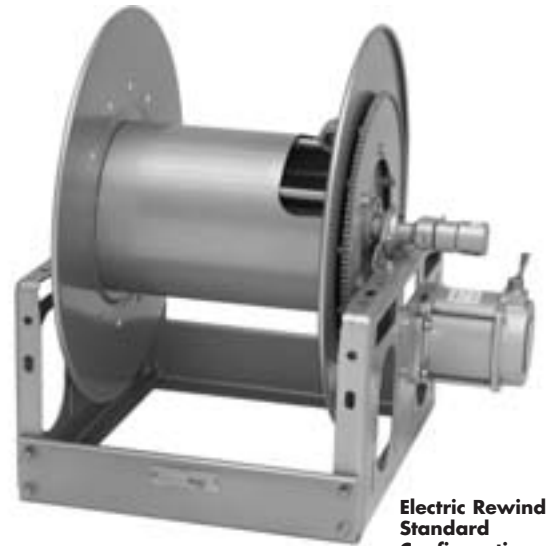
Power Rewind Shown

# 6000

## MANUAL OR POWER REWIND REELS

To handle single 1/2" through 1" I.D. hose.

- Heavy-duty reel for longer lengths of hose.
- Choose Gear-driven crank rewind or chain and sprocket drive powered by an electric, hydraulic or compressed air motor.
- Crank rewind reels supplied with pinion brake, power rewind reels with a comet brake.
- Standard inlet a 90° ball bearing swivel joint 1" female NPT threads.
- Standard outlet 1" female NPT threads.
- Standard inlet, outlet riser and hub assembly are steel. Optional bronze or aluminum swivel joint and stainless steel hub assembly and riser, are available.
- Optional Rollers may be purchased.
- Pressures to 1000 psi (69 bar).
- Temperatures from -60° F to +250° F (-51° C to +121° C).
- Consult factory for other pressures & temps.



Electric Rewind Standard Configuration Shown

For:

- Fuel Dispensing (Consult Factory)
- Fire Protection
- Spray Operations
- Water Blasting\*
- Sewer Cleaning\*

\*Heavy-duty construction required. Consult factory.



### Optional Auxiliary Rewind

Ring and pinion shaft rewind unit with removable crank handle



Shown with optional Assembly C Roller Top Wind

# 6000

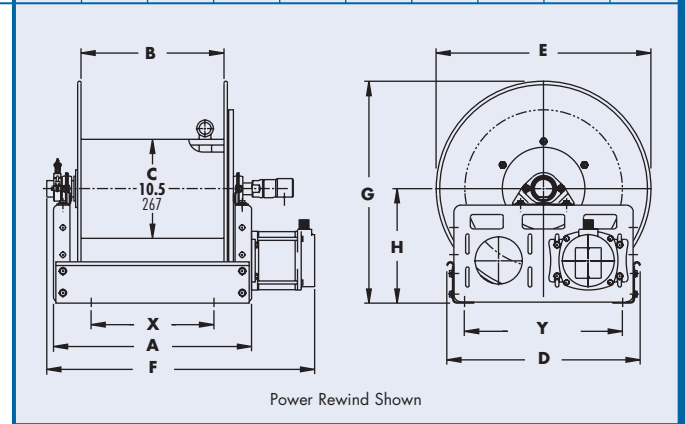
## Parts Drawing – ISO 84

Model Number	Hose Capacity of Reel				Approx. Weight Crank Rewind <sup>3</sup>		Reel Dimensions****									
	feet m.				lb. kg.		inches mm.									
	I.D. (in) I.D. (mm)	1/2" 13	3/4" 19	1" 25	NET	SHIP	A	B	D	E	F CRANK	F POWER	G	H	X	Y
O.D. (in) O.D. (mm)	7/8" 22	1-9/32" 33	1-9/16" 40													
6024-19-21	235 72	125 38	60 18	85 39	127 58	21 533	15.5 394	20.5 521	18.75 476	25.38 645	28.5 724	21.5 546	12.12 308	13 330	16.75 425	
6032-19-21	350 107	200 61	100 30	102 46	144 65	29.5 749	24 610	20.5 521	18.75 476	33.88 861	37 940	21.5 546	12.12 308	21.5 546	16.75 425	
6024-23-24	450 137	185 56	100 30	92 42	134 61	21 533	15.5 394	20.5 521	22.75 578	25.38 645	28.5 724	23.5 597	12.12 308	13 330	16.75 425	
6030-23-24	– –	250 76	150 46	105 48	147 67	27.5 699	22 559	20.5 521	22.75 578	31.88 810	35 889	23.5 597	12.12 308	19.5 495	16.75 425	
6038-23-24	– –	350 107	200 61	120 54	162 73	35 889	29.5 749	20.5 521	22.75 578	39.38 1000	42.5 1080	23.5 597	12.12 308	27.5 699	16.75 425	
6016-25-26	285 87	100 30	60 18	88 40	130 59	13 330	7.5 191	25.5 648	24.75 629	17.38 441	20.5 521	27.88 708	15.5 394	7.75 197	21.75 552	
6022-25-26	500 152	200 61	100 30	100 45	142 64	19 483	13.5 343	25.5 648	24.75 629	23.38 594	26.5 673	27.88 708	15.5 394	11 279	21.75 552	
6028-25-26	– –	300 91	200 61	113 51	155 70	25.5 648	20 508	25.5 648	24.75 629	29.88 759	33 838	27.88 708	15.5 394	17.5 445	21.75 552	
6018-30-31	450 137	235 72	135 41	101 46	151 68	15 381	9.5 241	25.5 648	28.75 730	19.38 492	22.5 572	29.88 759	15.5 394	7 178	21.75 552	
6024-30-31	– –	400 122	200 61	113 51	163 74	21 533	15.5 394	25.5 648	28.75 730	25.38 645	28.5 724	29.88 759	15.5 394	13 330	21.75 552	
6028-30-31	– –	500 152	265 81	121 55	171 78	25.5 648	20 508	25.5 648	28.75 730	29.88 759	33 838	29.88 759	15.5 394	17.5 445	21.75 552	
† 6030-30-31	– –	550 168	300 91	125 57	175 79	27.5 699	22 559	25.5 648	28.75 730	31.88 810	35 889	29.88 759	15.5 394	19.5 495	21.75 552	
† 6028-33-34	– –	600 183	350 107	129 59	179 81	25 635	20 508	31.5 800	31.75 806	29.62 752	32.75 832	33.62 854	17.75 451	17.5 445	27.75 705	

**Notes:**

- Specifications subject to change.
  - 1. Upon request, reels can be supplied with drum lengths other than shown and with disc sizes in other diameters.
  - 2. Dimensions shown for reels up to and including 30-31 disc size reflect pressed frames. All others are rollformed channel frames.
  - 3. Weights shown in chart are for crank rewind models. ADD these amounts for power rewind models:
 

	<b>Net (lbs.)</b>	<b>Ship (lbs.)</b>	<b>Net (kg.)</b>	<b>Ship (kg.)</b>
Electric 1/2 HP	40	40	18.1	18.1
Hydraulic	20	20	9.1	9.1
Air	20	20	9.1	9.1
  - 4. When ordering power rewind models, prefix model number with:  
 A = Air Rewind EP = Electric Rewind (1/2 hp) HD = Hydraulic Rewind  
 (Air rewind reels are supplied with control valve and hose; 12v and 24v DC rewind reels are supplied with switch and solenoid; 115v AC rewind reels are not supplied with switch but can be ordered separately; hydraulic rewind reels are not supplied with control valve.)
  - 5. **Finish:** refer to Page 4.
  - 6. **Be sure to check dimensions and weights prior to ordering.**
- NOTICE:** A Flexible Connector must be used between the inlet pipe and the inlet swivel joint.
- \*\*\* x,y indicate mounting holes. See page 2  
 † Some applications require a clutch/reduction unit.



# 7000

## MANUAL OR POWER REWIND REELS

To handle dual 3/4" or 1" I.D. hose.

- Two swivel joint inlets and two outlet risers to handle two equal lengths of hose.
- Choose gear-driven crank rewind or chain & sprocket drive powered by an electric, hydraulic or compressed air motor. An auxiliary rewind is standard.
- Crank rewind and power rewind reels, pinion brake standard.
- Standard inlets 90° ball bearing swivel joints 1" female NPT threads.
- Standard outlets 1" female NPT threads.
- Standard inlet, outlet riser and hub assembly are steel. Optional bronze or aluminum swivel joint and stainless steel hub assembly and riser, are available.
- Pressures to 1000 psi (69 bar).
- Temperatures from -60° F to +250° F (-51° C to +121° C).
- Consult factory for other pressures & temps.



Standard Configuration Shown

- For:
- Hydraulics
  - Dual Agents

### Parts Drawing – ISO 72

Model Number	Hose Capacity of Reel			Approx. Weight		Reel Dimensions***									
	I.D. (in)	3/4"	1"	NET	SHIP	A	B	D	E	F	F	G	H	X	Y
For Power Rewind See Note 5	I.D. (mm)	19	25							CRANK	POWER				
	O.D. (in)	1-9/32"	1-9/16"												
	O.D. (mm)	33	40												
7024-19-21	2/60	2/25	2/25	100	142	21	15.5	20.5	21.88	29.75	32.12	21.5	12.12	13	16.75
	2/18	2/8	2/8	45	64	533	394	521	556	756	816	546	308	330	425
7026-23-24	2/90	2/50	2/50	105	147	23	17.5	20.5	23	31.75	34.12	23.5	12.12	15	16.75
	2/27	2/15	2/15	48	67	584	445	521	584	806	867	597	308	381	425
7016-25-26	2/40	2/30	2/30	95	145	13	7.5	25.5	24.75	21.75	24.12	27.88	15.5	7.75	21.75
	2/12	2/9	2/9	43	66	330	191	648	629	552	613	708	394	197	552
7032-25-26	2/175	2/100	2/100	129	179	29.5	24	25.5	24.75	38.25	40.62	27.88	15.5	21.5	21.75
	2/53	2/31	2/31	59	81	749	610	648	629	972	1032	708	394	546	552
† 7032-30-31	2/300	2/150	2/150	137	187	29.5	24	25.5	28.75	38.25	40.62	29.88	15.5	21.5	21.75
	2/91	2/46	2/46	62	85	749	610	648	730	972	1032	759	394	546	552
† 7024-33-34	2/225	2/115	2/115	120	170	20.5	15.5	31.5	31.75	29.75	32.12	33.62	17.75	13	27.75
	2/69	2/35	2/35	54	77	521	394	800	806	756	816	854	451	330	705
† 7032-33-34	2/350	2/200	2/200	137	187	29	24	31.5	31.75	38.25	40.62	33.62	17.75	21.5	27.75
	2/107	2/61	2/61	62	85	737	610	800	806	972	1032	854	451	546	705

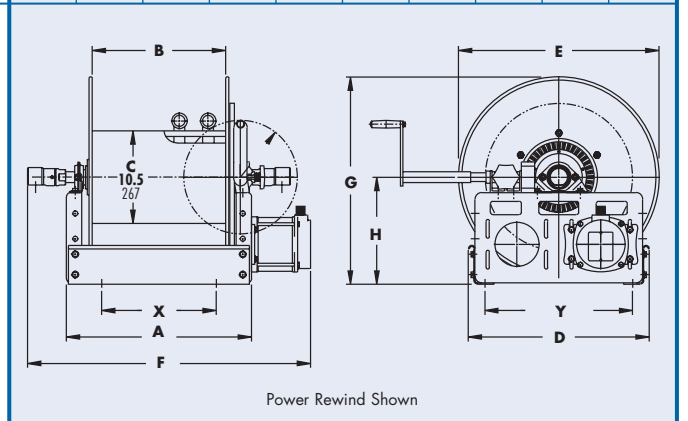
**Notes:**

1. Specifications subject to change.
2. Upon request, reels can be supplied with drum lengths other than shown and with disc sizes in other diameters.
3. Dimensions shown up to and including 30-31 disc size reflect pressed frames. All others are rollformed channel frames.
4. Weights shown in chart are for crank rewind models. ADD these amounts for power rewind models:

	Net (lbs.)	Ship (lbs.)	Net (kg.)	Ship (kg.)
Electric	40	40	18.1	18.1
Hydraulic	20	20	9.1	9.1
Air	20	20	9.1	9.1

5. When ordering, prefix model number with:  
 A = Air Rewind                      EP = Electric Rewind  
 MX = Chain Drive Crank            HD = Hydraulic Rewind  
 (Air rewind reels are supplied with control valve and hose; 12v and 24v DC rewind reels are supplied with switch and solenoid; 115v AC rewind reels are not supplied with switch but can be ordered separately; hydraulic rewind reels are not supplied with control valve.)

6. **Finish:** refer to Page 4.
7. **Be sure to check dimensions and weights prior to ordering.**



**NOTICE:** A Flexible Connector must be used between the inlet pipe and the inlet swivel joint.

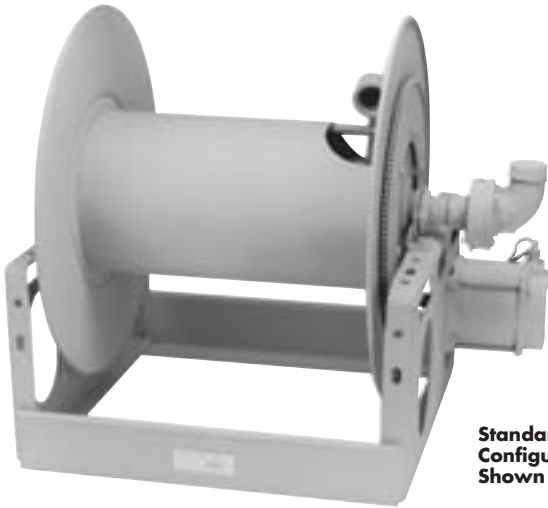
\*\*\* x,y indicate mounting holes. See page 2  
 † Some applications require a clutch/reduction unit.



# 7500

## MANUAL OR POWER REWIND REELS

To handle single 1" through 1-1/2" I.D. hose.



Standard Configuration Shown



Optional Auxiliary Rewind (Ring and pinion shaft rewind unit with removable crank handle)

- For:
- Fuel Dispensing (Consult Factory)
  - Bulk Transfer
  - Suction/Discharge (Consult Factory)

- Heavy-duty reel designed for longer lengths.
- Choose gear-driven crank rewind or chain and sprocket drive powered by an electric, hydraulic or compressed air motor.
- Crank rewind reels supplied with pinion brake and power rewind reels with a comet brake.
- Standard inlet 90° ball bearing swivel joint 1-1/2" female NPT threads and 2" victaulic groove.
- Standard outlet flanged riser 1-1/2" female NPT threads.
- Standard inlet, outlet riser and hub assembly are steel. Optional bronze or aluminum swivel joint and stainless steel hub assembly and riser, are available.
- Rollers may be purchased as accessory items.
- Operate at pressures to 600 psi (41 bar).
- Temperatures from -40° F to +175° F (-40° C to +79° C).
- Consult factory for other pressures & temps.

### Parts Drawing – ISO 18

Model Number	Hose Capacity of Reel				Approx. Weight		Reel Dimensions***									
	I.D. (in) I.D. (mm)	1" 25	1-1/4" 32	1-1/2" 38	lb. kg.		inches mm.									
For Power Rewind See Note 5	I.D. (in)	1-9/16"	1-13/16"	2-1/16"	NET	SHIP	A	B	D	E	F CRANK	F POWER	G	H	X	Y
	O.D. (in) O.D. (mm)	40	46	52												
7528-19-21		85 26	70 21	50 15	104 47	146 66	25.5 648	20 508	20.5 521	18.75 476	32 813	33 838	21.5 546	12.12 308	17.5 445	16.75 425
7538-23-24		200 61	190 58	100 30	130 59	172 78	35 889	29.5 749	20.5 521	22.75 578	41.5 1054	42.5 1080	23.5 597	12.12 308	27 686	16.75 425
7520-25-26		115 35	75 23	50 15	106 48	148 67	17 432	11.5 292	25.5 648	24.75 629	23.5 597	24.5 622	27.88 708	15.5 394	9 229	21.75 552
7528-25-26		200 61	135 41	100 30	123 56	165 75	25.5 648	20 508	25.5 648	24.75 629	32 813	33 838	27.88 708	15.5 394	17.5 445	21.75 552
7522-30-31		190 58	160 49	100 30	118 54	168 76	19 483	13.5 343	25.5 648	28.75 730	25.5 648	26.5 673	29.88 759	15.5 394	11 279	21.75 552
† 7528-30-31		285 87	260 79	160 49	131 59	181 82	25.5 648	20 508	25.5 648	28.75 730	32 813	33 838	29.88 759	15.5 394	17.5 445	21.75 552
† 7526-33-34		335 102	200 61	200 61	133 60	183 83	22.5 572	17.5 445	31.5 800	31.75 806	29.25 743	30.25 768	33.62 854	17.75 451	15 381	27.75 705

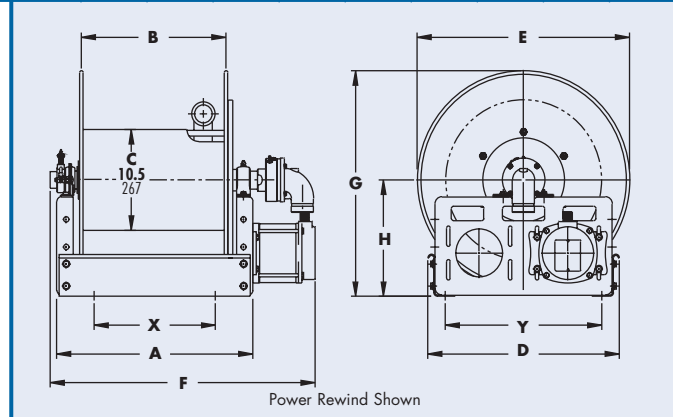
**Notes:**

- Specifications subject to change.
- Upon request, reels can be supplied with drum lengths other than shown and with disc sizes in other diameters.
- Dimensions shown for reels up to and including 30-31 disc size reflect pressed frames. All others are rollformed channel frames.
- Weights shown in chart are for crank rewind models. ADD these amounts for power rewind models:
 

	Net (lbs.)	Ship (lbs.)	Net (kg.)	Ship (kg.)
Electric	40	40	18.1	18.1
Hydraulic	20	20	9.1	9.1
Air	20	20	9.1	9.1
- When ordering power rewind models, prefix model number with:  
 A = Air Rewind    EP = Electric Rewind (1/2 hp)    HD = Hydraulic Rewind  
 (Air rewind reels are supplied with control valve and hose; 12v and 24v DC rewind reels are supplied with switch and solenoid; 115v AC rewind reels are not supplied with switch but can be ordered separately; hydraulic rewind reels are not supplied with control valve.)
- Finish: refer to Page 4.
- Be sure to check dimensions and weights prior to ordering.

**NOTICE:** A Flexible Connector must be used between the inlet pipe and the inlet swivel joint.

\*\*\* x,y indicate mounting holes. See page 2  
 † Some applications require a clutch/reduction unit.



# 8000

## MANUAL OR POWER REWIND REELS

To handle single 1-1/2" or 2" I.D. hose.

- Heavy-duty reel designed for longer lengths and larger diameters of hose through 2" I.D.
- Choose gear-driven crank rewind or chain and sprocket drive powered by an electric, hydraulic or compressed air motor.
- Crank rewind reels supplied with a pinion brake, power rewind reels with a comet brake.
- Standard inlet 90° ball bearing swivel joint 2" female NPT threads.
- Standard outlet flanged riser 2" female NPT threads
- Standard inlet, outlet riser and hub assembly are steel. Optional bronze or aluminum swivel joint and stainless steel hub assembly and riser, are available.
- Rollers may be purchased as accessory items.
- Pressures to 600 psi (41 bar).
- Temperatures from -40° F to +175° F (-40° C to +79° C).
- Consult factory for other pressures & temps.



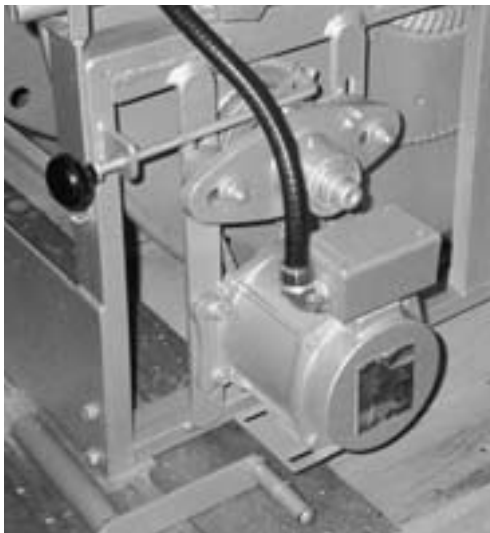
Shown with Optional Auxiliary Rewind

**For:**

- Bulk Transfer
- Chemical Transfer
- General Dispensing
- Suction/Discharge (consult factory)

• **Fueling Applications**

Refer to:  
Aviation Catalog  
H-0418-AVIA  
Petroleum Catalog  
H-0417-FD



For use on reels with 39" diameter or larger discs and/or when increased torque and slower rewind speeds are required. Factory-installed when specified or available as an accessory item.

### Chain Clutch-Reduction Units

# 8000

## Parts Drawing – ISO 35

Model Number	Hose Capacity of Reel feet m.			Approx. Weight Crank Rewind <sup>3</sup> lb. kg.		Reel Dimensions <sup>***</sup> inches mm.									
	I.D. (in) I.D. (mm)	1-1/2" 38	2" 51	NET	SHIP	A	B	D	E	F CRANK	F POWER	G	H	X	Y
	O.D. (in) O.D. (mm)	2-1/16" 52	2-9/16" 65							F CRANK	F POWER				
<b>8234-26-27</b>		<b>80</b> 24	<b>60</b> 18	<b>120</b> 54	<b>170</b> 77	<b>26.25</b> 667	<b>20</b> 508	<b>27</b> 686	<b>25.75</b> 654	<b>33.75</b> 857	<b>34.75</b> 883	<b>26.62</b> 676	<b>13.75</b> 349	<b>18.75</b> 476	<b>23.25</b> 591
<b>8238-26-27</b>		<b>100</b> 30	<b>75</b> 23	<b>145</b> 66	<b>195</b> 88	<b>30.25</b> 768	<b>24</b> 610	<b>27</b> 686	<b>25.75</b> 654	<b>37.75</b> 959	<b>38.75</b> 984	<b>26.62</b> 676	<b>13.75</b> 349	<b>22.75</b> 578	<b>23.25</b> 591
<b>8246-26-27</b>		<b>145</b> 44	<b>100</b> 30	<b>196</b> 89	<b>245</b> 112	<b>38.25</b> 972	<b>32</b> 813	<b>27</b> 686	<b>25.75</b> 654	<b>45.75</b> 1162	<b>46.75</b> 1188	<b>26.62</b> 676	<b>13.75</b> 349	<b>30.75</b> 781	<b>23.25</b> 591
<b>8226-33-34</b>		<b>85</b> 26	<b>60</b> 18	<b>80</b> 36	<b>150</b> 68	<b>17.75</b> 451	<b>11.5</b> 292	<b>31.5</b> 800	<b>31.75</b> 806	<b>25.25</b> 641	<b>26.25</b> 667	<b>33.38</b> 848	<b>17.75</b> 445	<b>10.25</b> 260	<b>27.75</b> 705
<b>8234-33-34</b>		<b>150</b> 46	<b>115</b> 35	<b>133</b> 60	<b>230</b> 105	<b>26.25</b> 667	<b>20</b> 508	<b>31.5</b> 800	<b>31.75</b> 806	<b>33.75</b> 857	<b>34.75</b> 883	<b>33.38</b> 848	<b>17.75</b> 445	<b>18.75</b> 476	<b>27.75</b> 705
<b>8238-39-40</b>		<b>340</b> 104	<b>225</b> 69	<b>218</b> 99	<b>420</b> 191	<b>30.25</b> 768	<b>24</b> 610	<b>40</b> 1016	<b>39</b> 991	<b>37.75</b> 959	<b>38.75</b> 984	<b>39.88</b> 1013	<b>20.38</b> 518	<b>22.75</b> 578	<b>37</b> 940

**Notes:**

- Specifications subject to change.
- Upon request, reels can be supplied with drum lengths other than shown and with disc sizes in other diameters.
- Weights shown in chart are for crank rewind models. ADD these amounts for power rewind models:

	Net (lbs.)	Ship (lbs.)	Net (kg.)	Ship (kg.)
Electric	<b>40</b>	<b>40</b>	18.1	18.1
Hydraulic	<b>20</b>	<b>20</b>	9.1	9.1
Air	<b>20</b>	<b>20</b>	9.1	9.1

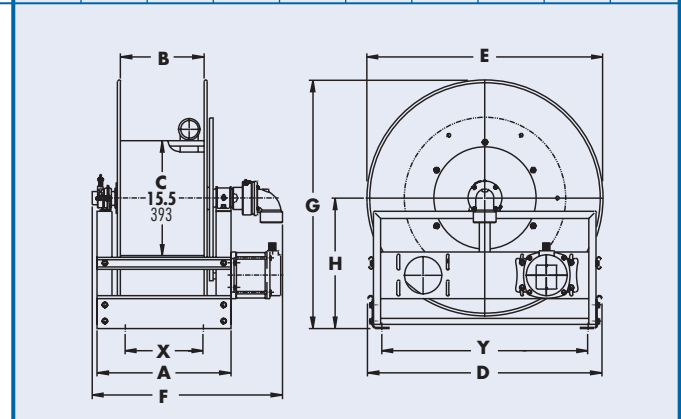
- When ordering power rewind models, prefix model number with:  
 A = Air Rewind      EP = Electric Rewind (1/2 HP)  
 HD = Hydraulic Rewind  
 (Air rewind reels are supplied with control valve and hose; 12v and 24v DC rewind reels are supplied with switch and solenoid; 115v AC rewind reels are not supplied with switch but can be ordered separately; hydraulic rewind reels are not supplied with control valve.)

5. **Finish:** refer to Page 4.

6. **Be sure to check dimensions and weights prior to ordering.**

**NOTICE:** A Flexible Connector must be used between the inlet pipe and the inlet swivel joint.

\*\*\* x,y indicate mounting holes. See page 2



# 9000

## MANUAL OR POWER REWIND REELS

To handle 2" through 3" I.D. hose.

- Heavy-duty reel designed for longer lengths and larger diameters of hose through 3" I.D.
- Choose gear-driven crank rewind or chain and sprocket drive powered by an electric, hydraulic or compressed air motor.
- Crank rewind reels supplied with a pinion brake power rewind reels with a comet brake.
- Standard inlet 90° ball bearing swivel joint 3" female NPT threads.
- Standard outlet flanged riser 3" female NPT threads.
- Standard, outlet riser and hub assembly are aluminum with ductile inlet. Optional bronze or aluminum swivel joint and stainless steel hub assembly and riser, are available.
- Rollers may be purchased as accessory items.
- Pressures to 300 psi (21 bar).
- Temperatures from -20° F to +225° F (-29° C to +107° C).
- Consult factory for other pressures & temps.



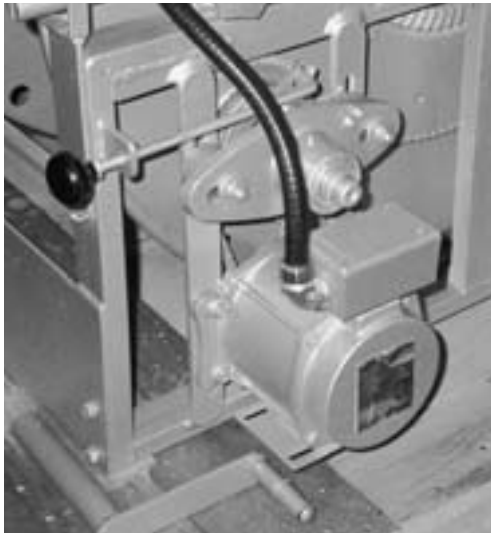
Shown with Optional  
Auxiliary Rewind

### For:

- Suction/Discharge  
(consult factory)
- High Volume  
Application
- Bulk Transfer
- Chemical Transfer

### • Fueling Applications

Refer to:  
Aviation Catalog  
H-0418-AVIA  
Petroleum Catalog  
H-0417-FD



For use on reels with 39" diameter or larger discs and/or when increased torque and slower rewind speeds are required. Factory-installed when specified or available as an accessory item.

### Chain Clutch-Reduction Units

# 9000

## Parts Drawing – ISO 57

Model Number	Hose Capacity of Reel feet m.				Approx. Weight Crank Rewind <sup>3</sup> lb. kg.		Reel Dimensions** inches mm.									
	I.D. (in) I.D. (mm)	2" 51	2-1/2" 64	3" 76	NET	SHIP	A	B	D	E	F CRANK	F POWER	G	H	X	Y
	O.D. (in) O.D. (mm)	2-9/16" 65	3-3/16" 81	3-3/4" 95												
9332-33-34		70	30	25	147	217	23.75	17.5	31.75	31.75	33.75	33.25	33.88	18	16.25	27.75
		21	9	8	67	98	603	445	807	807	857	845	861	457	413	705
9338-33-34		100	45	35	187	257	30.25	24	31.75	31.75	40.25	39.75	33.88	18	22.75	27.75
		30	14	11	85	117	768	610	807	807	1022	1010	861	457	578	705
9346-33-34		140	60	50	237	372	38.25	32	31.75	31.75	48.25	47.75	33.88	18	30.75	27.75
		43	18	15	108	169	972	813	807	807	1226	1213	861	457	781	705
9338-39-40		185	90	80	239	480	30.25	24	40	39	40.25	39.75	40.38	20.88	22.75	37
		56	27	24	108	218	768	610	1016	991	1022	1010	1026	530	578	940
9334-45-46		200	130	115	361	525	26.25	20	46	45	36.25	35.75	46.38	23.88	18.75	43
		61	40	35	164	239	667	508	1168	1143	921	908	1178	607	476	1092

**Notes:**

- Specifications subject to change.
- Upon request, reels can be supplied with drum lengths other than shown and with disc sizes in other diameters.
- Weights shown in chart are for crank rewind models. ADD these amounts for power rewind models:

	Net (lbs.)	Ship (lbs.)	Net (kg.)	Ship (kg.)
Electric	40	40	18.1	18.1
Hydraulic	20	20	9.1	9.1
Air	20	20	9.1	9.1

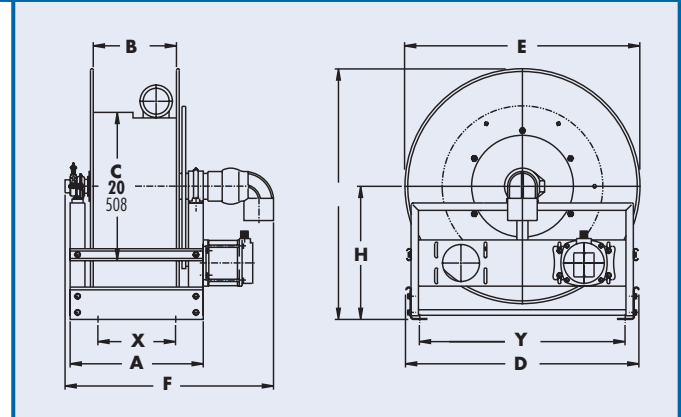
- When ordering power rewind models, prefix model number with:  
A = Air Rewind      EP = Electric Rewind (1/2 HP)  
HD = Hydraulic Rewind  
(Air rewind reels are supplied with control valve and hose; 12v and 24v DC rewind reels are supplied with switch and solenoid; 115v AC rewind reels are not supplied with switch but can be ordered separately; hydraulic rewind reels are not supplied with control valve.)

5. **Finish:** refer to Page 4.

6. **Be sure to check dimensions and weights prior to ordering.**

**NOTICE:** A Flexible Connector must be used between the inlet pipe and the inlet swivel joint.

\*\*\* x,y indicate mounting holes. See page 2



# 1100

## PORTABLE HOSE REELS ON WHEELS

To handle 3/8" through 5/8" I.D. hose.

- Continuous flow reels with swivel joint inlet, fluid hub, outlet riser.
- Comes with cam-lock brake.
- Direct crank rewind.
- One-piece foot, rubber tires, and removable steel handlebar.
- Permanently attached crank.
- Standard inlet 90° ball bearing swivel joint 1/2" female NPT threads.
- Standard outlet is 1/2" female NPT threads.
- GH Prefix to model # (e.g. GH1100) includes garden hose thread on outlet, 5' lead-in hose, hose end clips.
- Pressures to 3000 psi (207 bar).
- Temperatures from +20° F to +400° F (-7° C to +204° C).



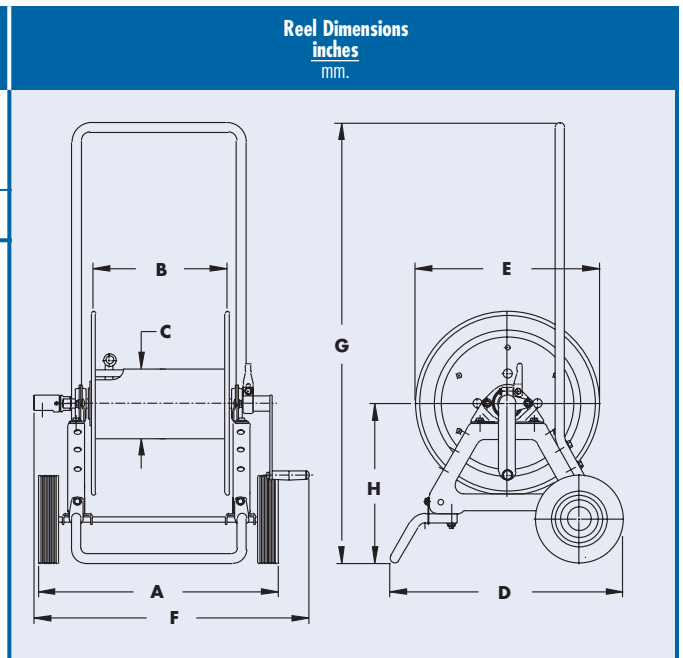
GH 1100 Configuration Shown

For:

- Grounds Maintenance
- Restaurants/Hotels
- Home Use

### Parts Drawing – ISO 48

Model Number	Hose Capacity of Reel				Approx. Weight	
		feet				
		m.				
	I.D. (in)	3/8"	1/2"	5/8"	NET	SHIP
	I.D. (mm)	10	13	16		
	O.D. (in)	3/4"	7/8"	1"		
	O.D. (mm)	19	22	25		
1100		275	175	125	47	50*
		84	53	38	21	23



**Notes:**

1. Specifications subject to change.
2. **Finish:** refer to Page 4.
3. **Be sure to check dimensions and weights prior to ordering.**
  - \* When shipped as a parcel package (via Fed-Ex or UPS Ground).

# AT1200

## PORTABLE HOSE REELS ON WHEELS



GHAT 1200 Configuration Shown

To handle 1/2" through 1" I.D. hose.

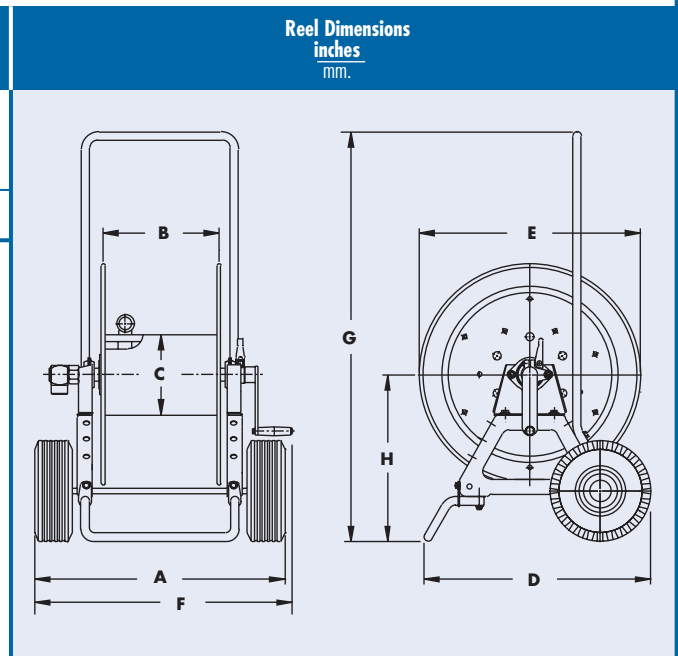
- Continuous flow reels with swivel joint inlet, fluid hub, outlet riser.
- Comes with pneumatic tires and cam-lock drag brake.
- Direct crank rewind.
- One-piece foot, and removable steel handlebar.
- Permanently attached crank.
- Model AT1200 –standard inlet 90° balance pressure swivel joint 1" female NPT threads.
- Standard outlet is 1" female NPT threads.
- GH Prefix to model # (e.g. GHAT1200) includes garden hose thread on outlet, 5' lead-in hose, hose end clips.
- Operates at pressures to 1000 psi.
- Temperatures from -40° F to +250° F (-40° C to +121° C).
- Consult factory for other pressures & temps.

For:

- Grounds Maintenance
- Restaurants/Hotels
- Home Use

### Parts Drawing – ISO 87

Model Number	Hose Capacity of Reel					Approx. Weight	
		feet				NET	SHIP
		m.					
	I.D. (in)	1/2"	5/8"	3/4"	1"		
	I.D. (mm)	13	16	19	25		
	O.D. (in)	7/8"	1"	1-9/32"	1-9/16"		
	O.D. (mm)	22	25	33	40		
AT1200		350	250	150	100	86	91*
		107	76	46	30	39	41



**Notes:**

1. Specifications subject to change.
  2. **Finish:** refer to Page 4.
  3. **Be sure to check dimensions and weights prior to ordering.**
- \*When shipped as a parcel package (via Fed-Ex or UPS Ground)

# C1150

## PORTABLE STORAGE REELS ON WHEELS

- Direct crank rewind
- One-piece foot, rubber tires, and removable steel handlebar
- For storing cable, hose or rope. A 1-1/8" x 2-3/8" (28 mm x 60 mm) opening in the drum to initiate winding.
- Comes with cam-lock brake.



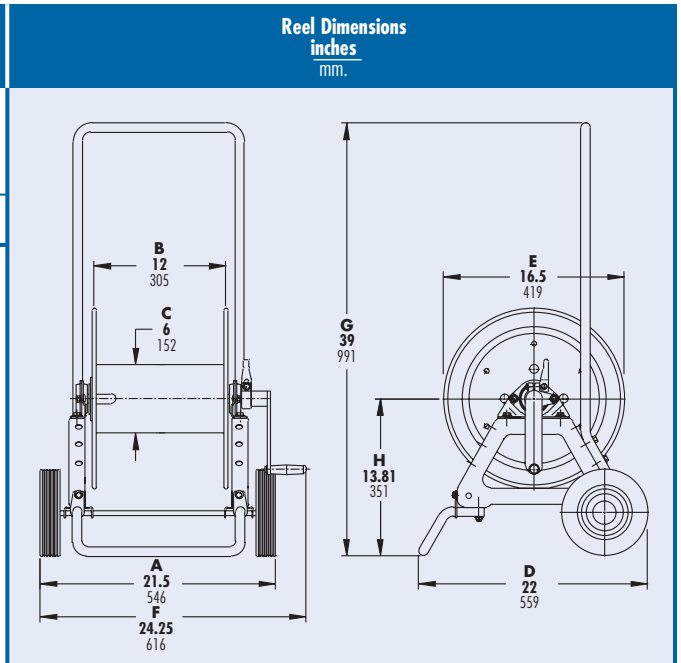
Standard Configuration Shown

For:

- Industrial Maintenance
- Construction
- Agriculture
- Grounds Maintenance

### Parts Drawing – ISO 48

Model Number	Cable Capacity of Reel				Approx. Weight	
	feet m.				lb.	kg.
	Gauge/Number of Conductors				NET	SHIP
	16/3	14/3	12/3	10/3		
	.390 10	.530 14	.600 15	.690 18		
C1150	1100 335	500 152	400 122	300 91	44 20	50* 23



**Notes:**

1. Specifications subject to change.
2. When ordering specify model number, O.D., length and weight of cable, hose, etc.
3. **Finish:** refer to Page 4.
4. **Be sure to check dimensions and weights prior to ordering.**

\*When shipped as a parcel package (via Fed-Ex or UPS Ground), some assembly required.



# ATC1250

## PORTABLE STORAGE REELS ON WHEELS



Standard Configuration Shown

- Direct crank rewind.
- One-piece foot, pneumatic tires, and removable steel handlebar.
- A larger version of the C1150 model with pneumatic tires and a 4-1/2" x 9" (114 mm x 229 mm) drum opening.
- Supplied with a cam-lock drag brake.

For:

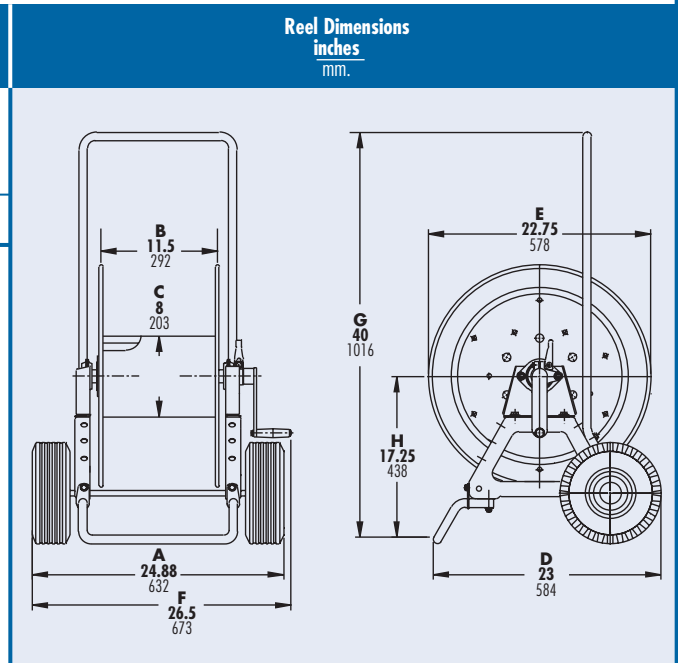
- Industrial Maintenance
- Construction
- Agriculture
- Grounds Maintenance

### Parts Drawing – ISO 87

Model Number	Cable Capacity of Reel feet m.				Approx. Weight lb. kg.	
	Gauge/Number of Conductors				NET	SHIP
	O.D. (in) O.D. (mm)	16/3 .390 10	14/3 .530 14	12/3 .600 15		
ATC1250	1800 549	950 290	750 229	550 168	84 38	89* 40

**Notes:**

1. Specifications subject to change.
  2. When ordering specify model number, O.D., length and weight of cable, hose, etc.
  3. **Finish:** refer to Page 4.
  4. **Be sure to check dimensions and weights prior to ordering.**
- \* When shipped as a parcel package (via Fed-Ex or UPS Ground), some assembly required.



# C1500

## MANUAL OR POWER REWIND STORAGE REELS

To handle single 1/4" through 1" O.D.

- Reels are designed for storage of long lengths of hose, cable, rope, wire or other materials.
- A 1-1/8" x 2-3/8" (28 mm x 60 mm) opening in the drum to initiate winding.
- Direct crank rewind, permanently attached. Removable crank option is available. Also available chain and sprocket rewind powered by electric, compressed air, or hydraulic motor.
- Supplied with cam lock brake on manual rewind models only.
- Optional divider discs can be placed at almost any point. Be sure to specify spacing of discs on your order.
- Rollers may be purchased as accessory items.



Standard Configuration Shown

For Storage Of:

- Hose
- Cable
- Rope
- Wire

### Parts Drawing – ISO 179

Model Number	Hose Capacity of Reel				Approx. Weight		Reel Dimensions***							
	O.D. (in) O.D. (mm)	1/4" 6	1/2" 13	3/4" 19	1" 25	NET	SHIP	A	B	E CRANK	E POWER	F CRANK	F POWER	X
C1514-17-18		1300 396	325 99	150 46	75 23	23 10	34* 15	11 279	6 152	16.5 419	19 483	16 406	15.75 400	9.5 241
C1520-17-18		–	650 198	300 91	150 46	25 11	50* 23	17 432	12 305	16.5 419	19 483	22 559	21.75 552	15.5 394
C1526-17-18		–	900 274	450 137	225 69	27 12	50* 23	23 584	18 457	16.5 419	19 483	28 711	27.75 705	21.5 546
C1530-17-18		–	1000 305	550 168	275 84	29 13	50* 23	27 686	22 559	16.5 419	19 483	32 813	31.75 806	25.5 648

#### Notes:

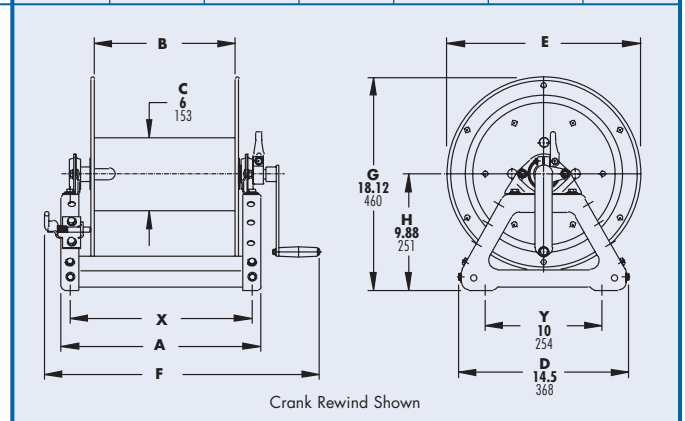
1. Specifications subject to change.
2. Upon request, reels can be supplied with drum lengths other than shown and with disc sizes in other dimensions.
3. Dimensions reflect pressed frames.
4. Weights shown in chart are for crank rewind models. ADD these amounts for power rewind models.

	Net (lbs.)	Ship (lbs.)	Net (kg.)	Ship (kg.)
Electric	18	18	8.2	8.2
Hydraulic	15	15	6.8	6.8
Air	15	15	6.8	6.8

5. When ordering power rewind models Prefix model number with:  
A = Air Rewind E = Electric Rewind HD = Hydraulic Rewind  
(Air rewind reels are supplied with control valve and hose; 12v and 24v DC rewind reels are supplied with switch and solenoid; 115v AC rewind reels are not supplied with switch but can be ordered separately; hydraulic rewind reels are not supplied with control valve.)
6. **Finish:** refer to Page 4.

#### 7. Be sure to check dimensions and weights prior to ordering.

\* When shipped as a parcel package (via Fed-Ex or UPS Ground).  
\*\*\* x,y indicate mounting holes. See page 2



Crank Rewind Shown



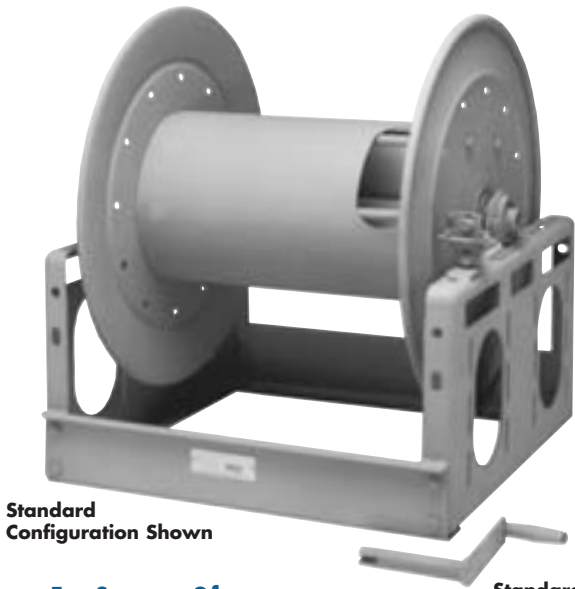
Optional External Mounting Brackets part no. 9906.0025. Add 2-1/2" to the X dimensions shown in the chart.

# C3200

## MANUAL REWIND STORAGE REELS

To handle single 1/2" through 1-1/2" O.D.

- A 4-1/2" x 9" (114mm x 229mm) opening in the drum to initiate winding.
- Designed for storage of long lengths of hose, cable, rope, wire or other materials.
- Choose disc rewind or removable direct crank rewind.
- Supplied with spring actuated pin lock.
- Optional divider discs can be placed at almost any point. Be sure to specify spacing of discs on your order.
- Rollers may be purchased as accessory items.



Standard Configuration Shown

For Storage Of:

- Hose
- Cable
- Rope
- Wire

Standard with Crank Handle

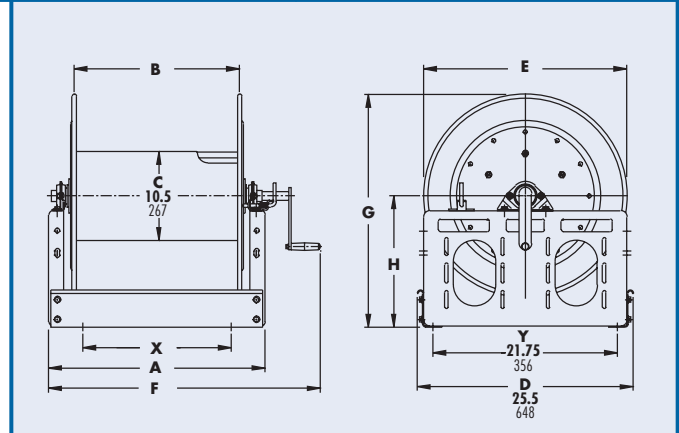
### Parts Drawing – ISO 117

Model Number	Hose Capacity of Reel						Approx. Weight		Reel Dimensions***						
	O.D. (in) O.D. (mm)	1/2" 13	3/4" 19	1" 25	1-1/4" 32	1-1/2" 38	NET	SHIP	A	B	E CRANK	F CRANK	G	H	X
C3218-25-26		1000 305	450 137	225 69	125 38	90 27	85 39	127 58	15 381	9.5 241	24.75 629	22 559	27.88 708	15.5 394	7 178
C3228-25-26		–	1000 305	500 152	325 99	200 61	109 49	151 68	25.5 648	20 508	24.75 629	32.5 826	27.88 708	15.5 394	17.5 445
C3234-25-26		–	1300 396	650 198	400 122	275 84	122 55	164 74	31.5 800	26 660	24.75 629	38.5 978	27.88 708	15.5 394	23.5 597

**Notes:**

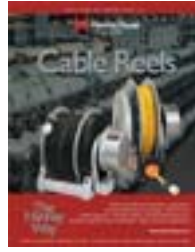
1. Specifications subject to change.
2. Upon request, reels can be supplied with drum lengths other than shown and with disc sizes in other dimensions.
3. Dimensions reflect pressed frames.
4. Series C3200 requires 3-1/2" clearance to remove crank handle.
5. Subtract 5" from 'F' dimension for disc rewind on C3200 Series.
6. **Finish:** refer to Page 4.
7. **Be sure to check dimensions and weights prior to ordering.**

\*\*\* x,y indicate mounting holes. See page 2

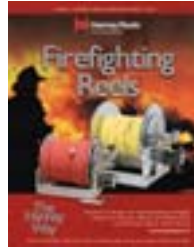




**Stainless Steel Reels**



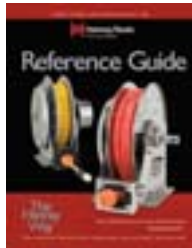
**Cable Reels**



**Firefighting Reels**



**Welding Reels**



**Reference Guide**



**Pressure Wash Reels**



**Audio/Video Reels**



**Ordering & Accessory Guide**



Family owned and operated since 1933, Hannay Reels is a leader in both OEM and aftermarket applications. Hannay offers thousands of standard hose reel and cable reel models, as well as unmatched custom capabilities. We can easily and affordably customize a reel to meet your exact specifications – built to last, delivered fast. Additional catalogs are available through your local Hannay Reels dealer or online at [www.hannay.com](http://www.hannay.com).



553 State Route 143 • Westerlo, New York 12193-0159  
Toll Free Phone: 1-**877**-GO-REELS • Toll Free Fax: 1-800-REELING

E-mail: [reels@hannay.com](mailto:reels@hannay.com)

Intl. Phone: 1-518-797-3791 • Intl. Fax: 1-518-797-3259

**[www.hannay.com](http://www.hannay.com)**



MADE IN U.S.A.